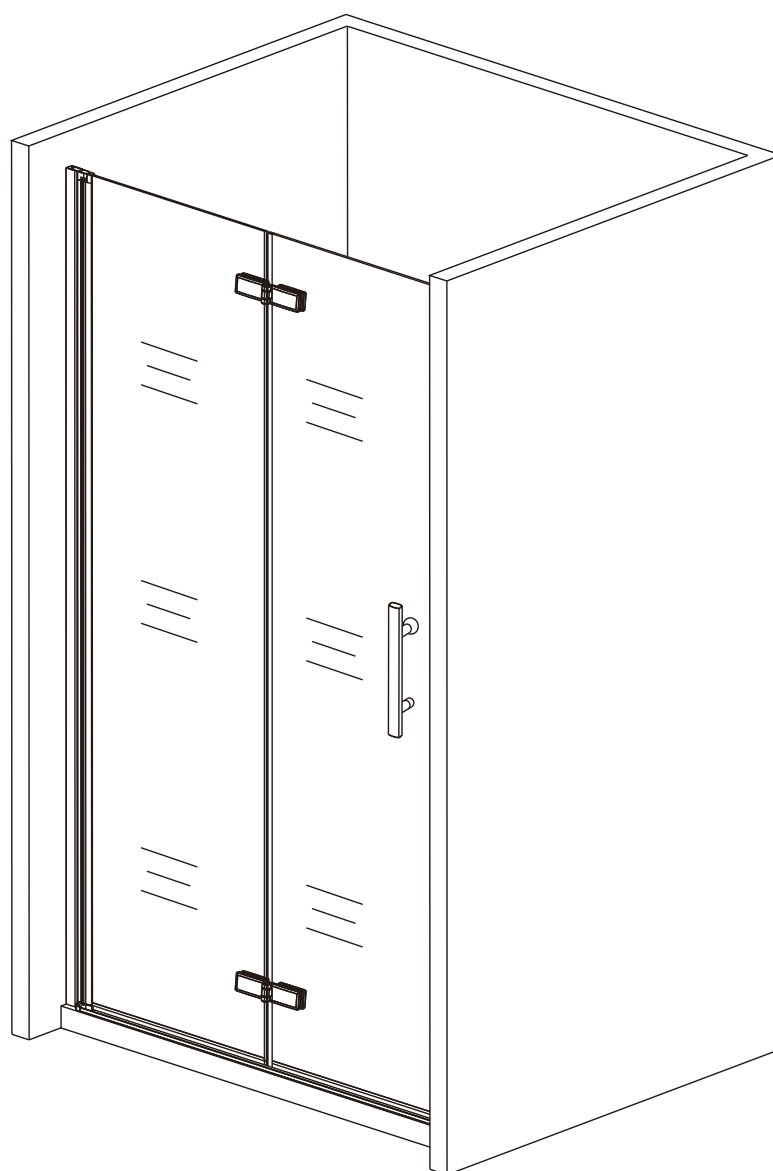


# MINERVA LINE

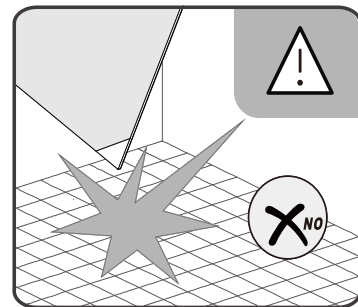
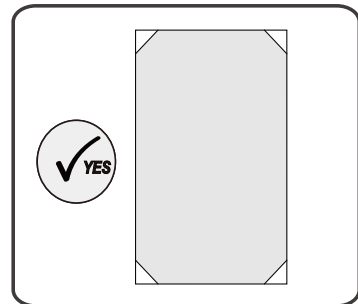
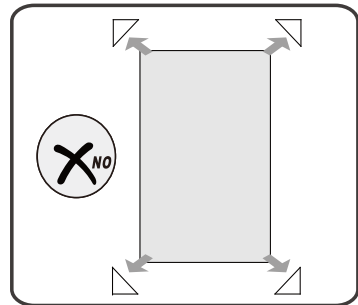
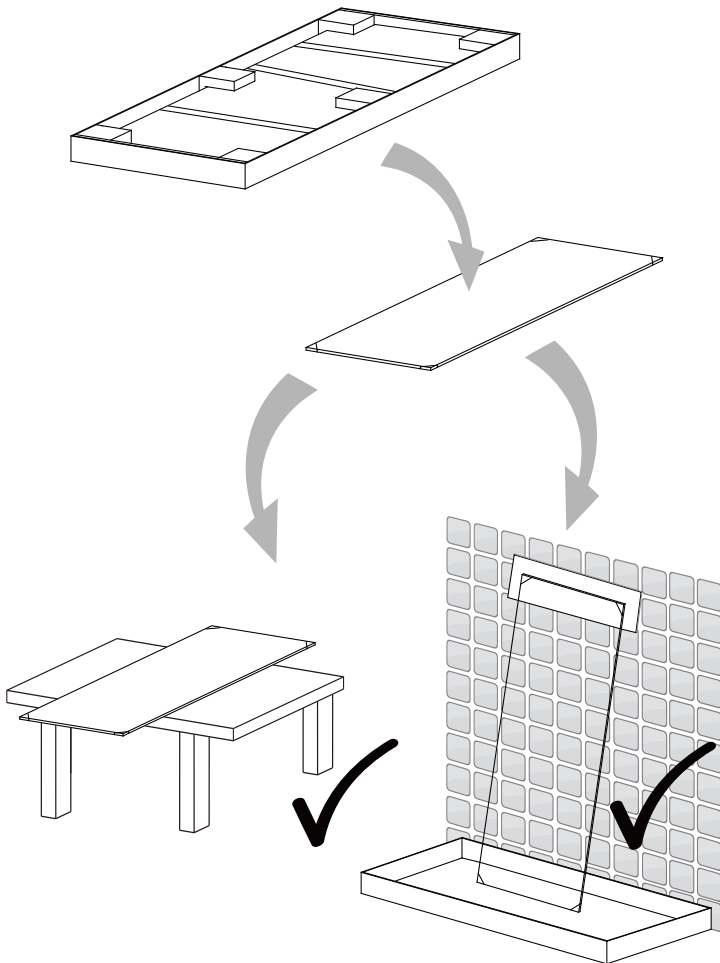
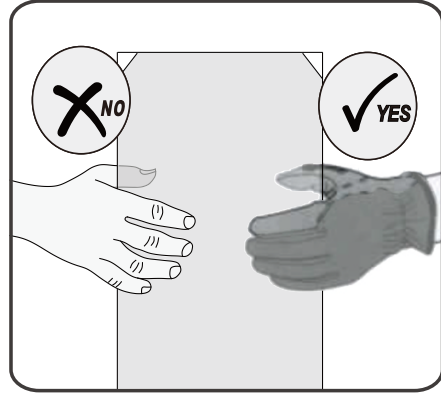
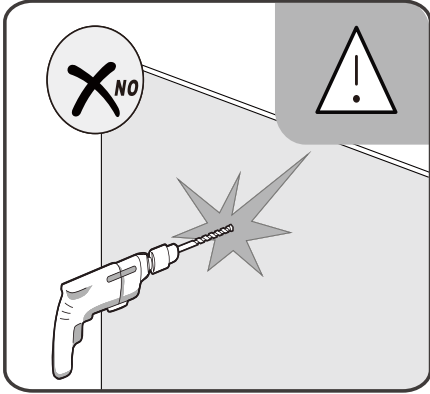
SL710-SL790

ASSEMBLY MANUAL

MONTÁŽNÍ NÁVOD



# CAUTIONS



## TOOLS REQUIRED



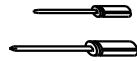
PENCIL



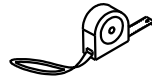
( $\varnothing 6 \varnothing 3.2$ )  
DRILL BIT



SILICONE & GUN



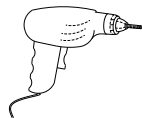
FLAT HEAD & CROSS  
HEAD SCREWDRIVER



TAPE MEASURE



SPIRIT LEVE


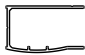

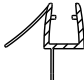

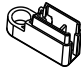
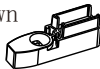


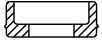
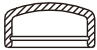
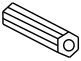







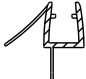


DRILL



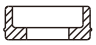
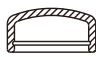
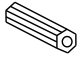


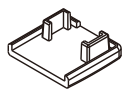


RUBBER HAMMER

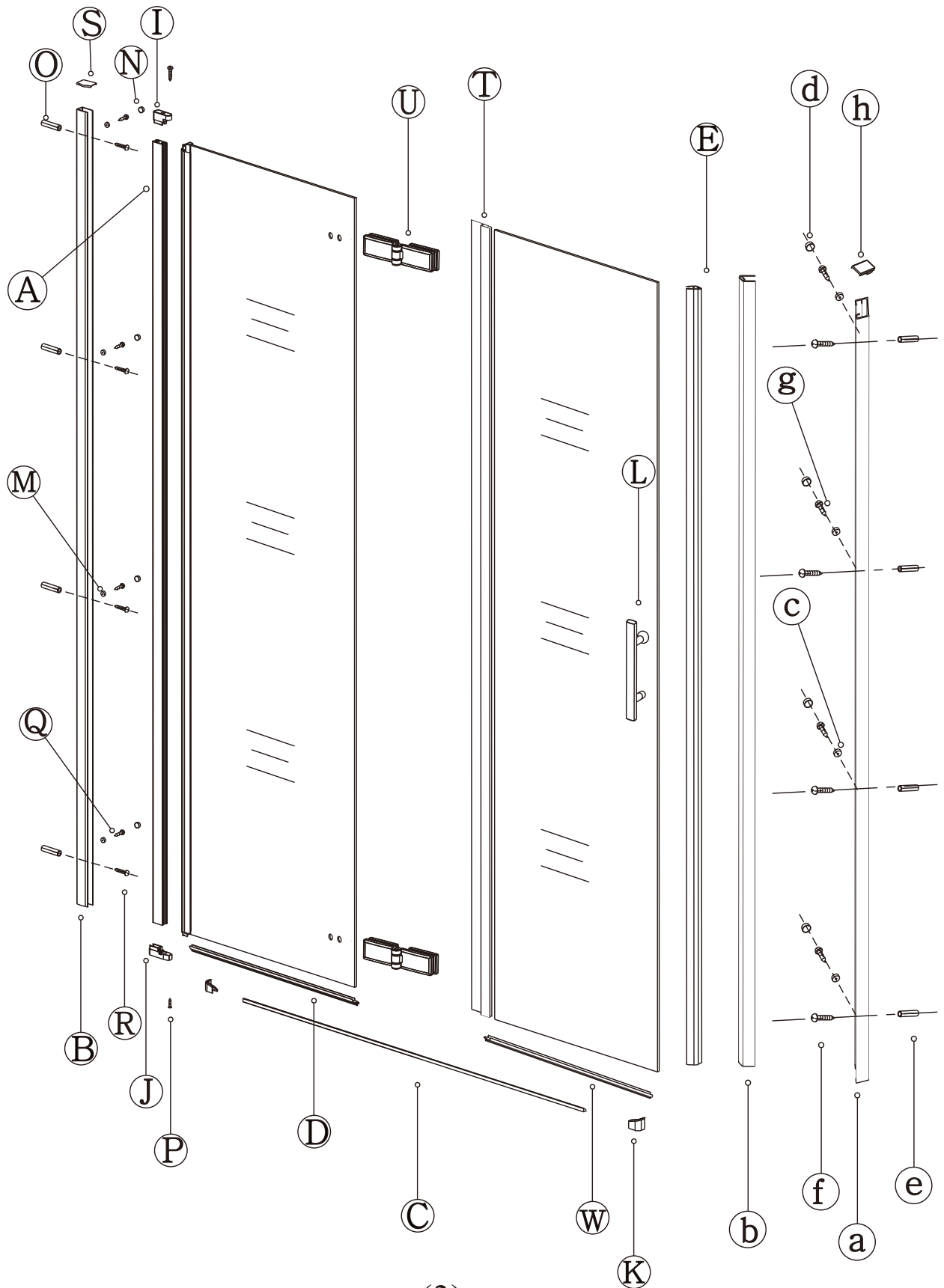
## PACKING LIST

<b>A</b> B-736  X1	<b>B</b> B-735  X1	<b>C</b> B-439  X1	<b>D</b> C-380  long X1	<b>E</b> C-001  X2
<b>I</b> I-986  up X1	<b>J</b> I-985  down X1	<b>K</b> I-989  L/R X2	<b>L</b> E-029  X1	<b>M</b> I-062  X4
<b>N</b> I-065  X4	<b>O</b> I-040  X4	<b>P</b> ST3.5*20  X2	<b>Q</b> ST4*12  X4	<b>R</b> ST4*30  X4
<b>S</b> I-988  L/R X2	<b>T</b> C1-010  X1	<b>U</b> G-016  X2	<b>V</b> I-597  X1	<b>W</b> C-380  short X1

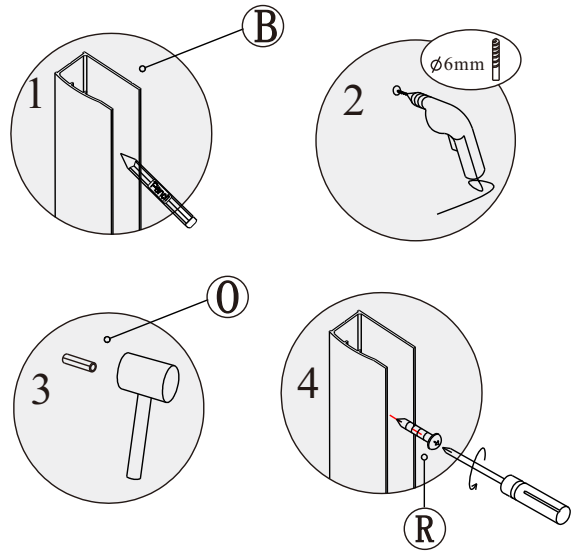
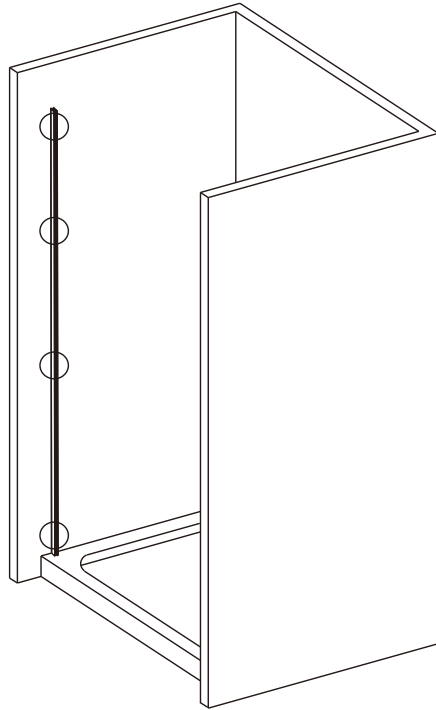
The following components are packed in another products which would be matched with this product.

<b>a</b> B-475  X1	<b>b</b> B-494  X1	<b>c</b> I-062  X4	<b>d</b> I-065  X4	<b>e</b> I-040  X4
<b>f</b> ST4*40  X4	<b>g</b> ST4*12  X4	<b>h</b> I-600  X1		

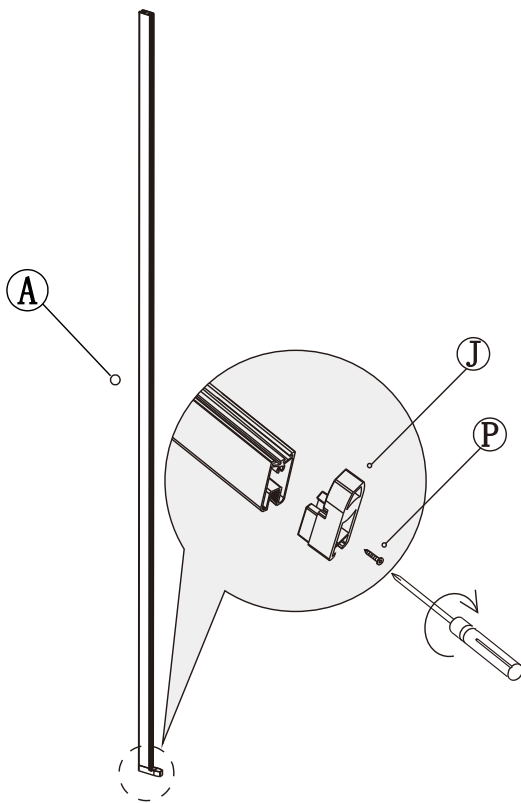
# PRODUCT SCHEMATIC DIAGRAM



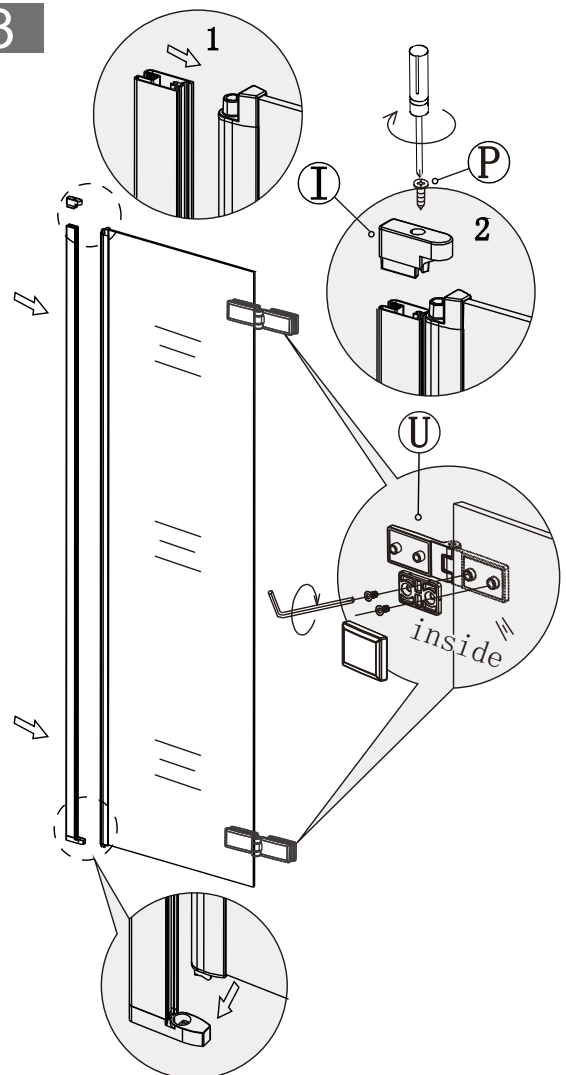
1



2

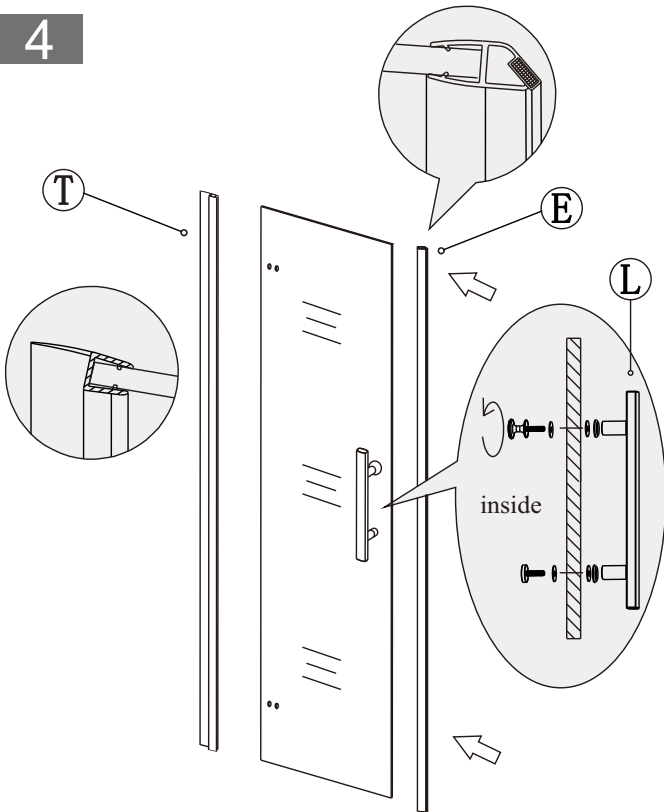


3

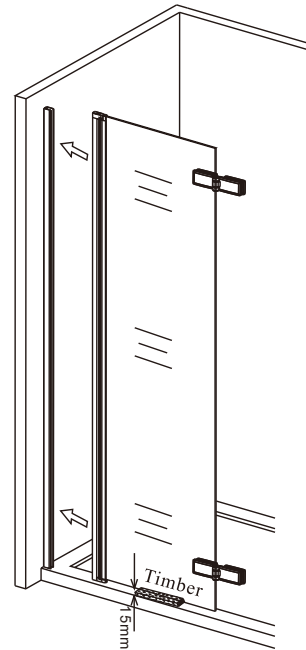


(4)

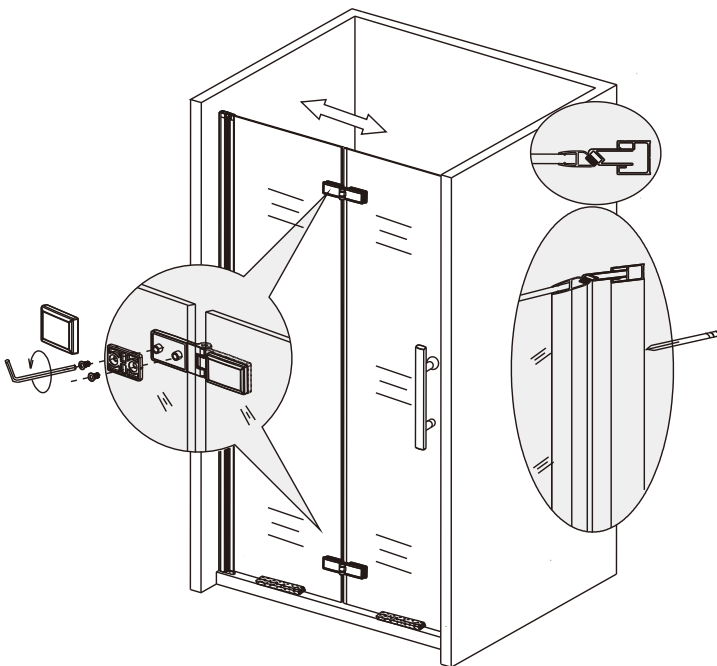
4



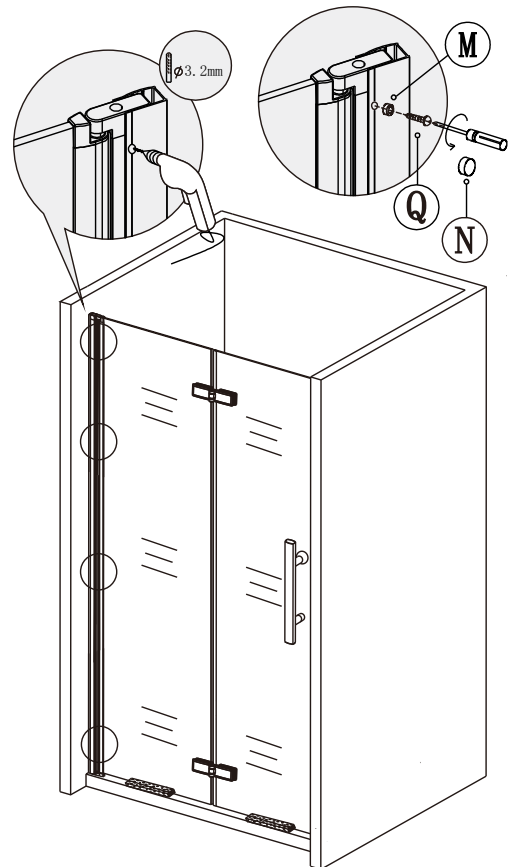
5



6

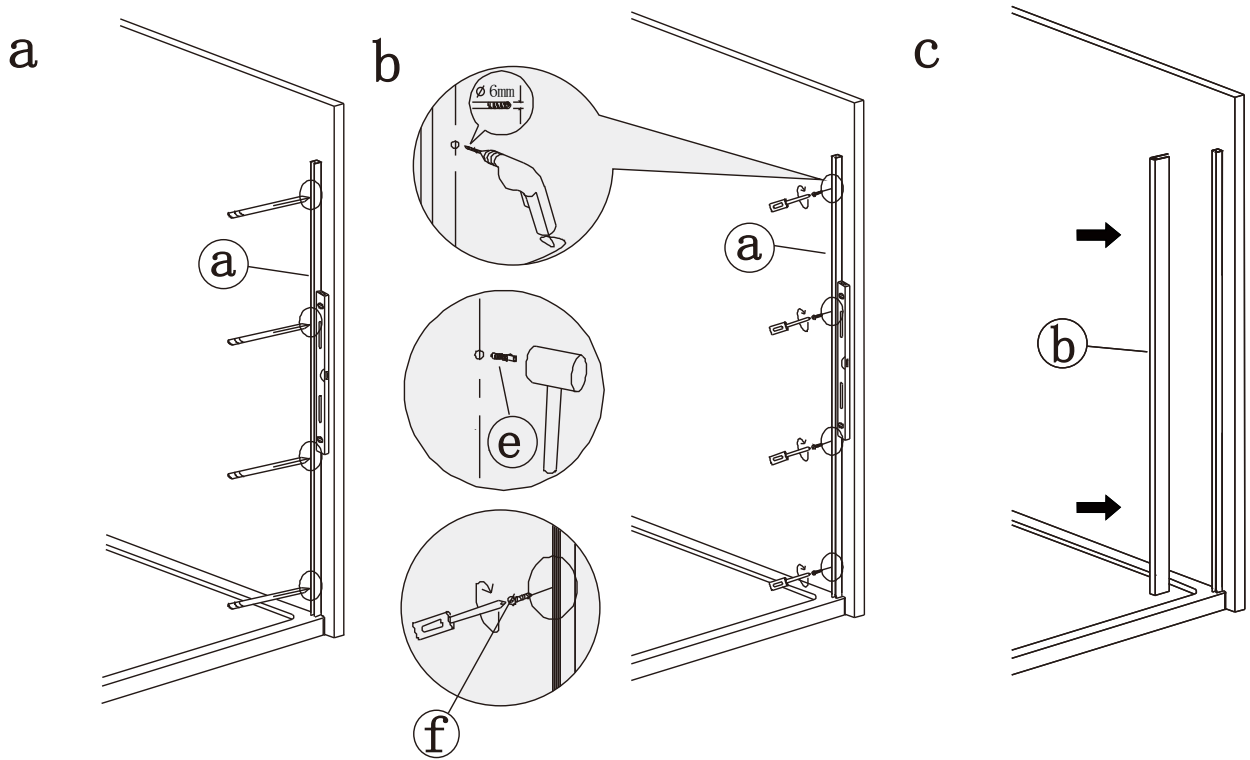


7

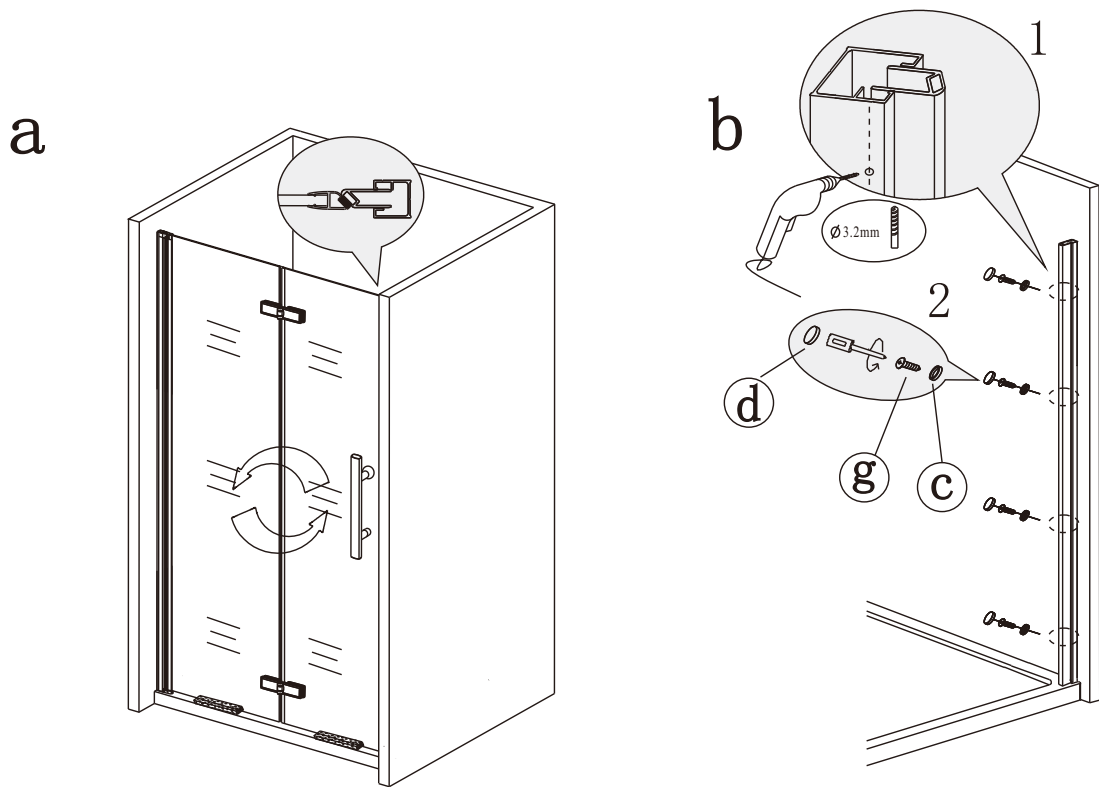


(5)

8



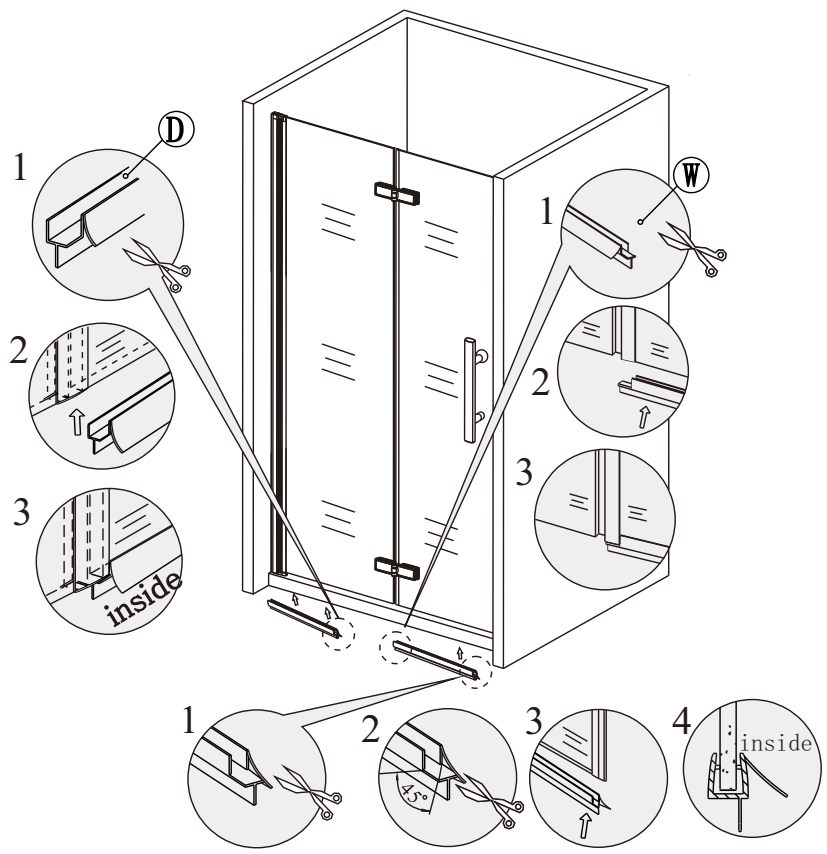
9



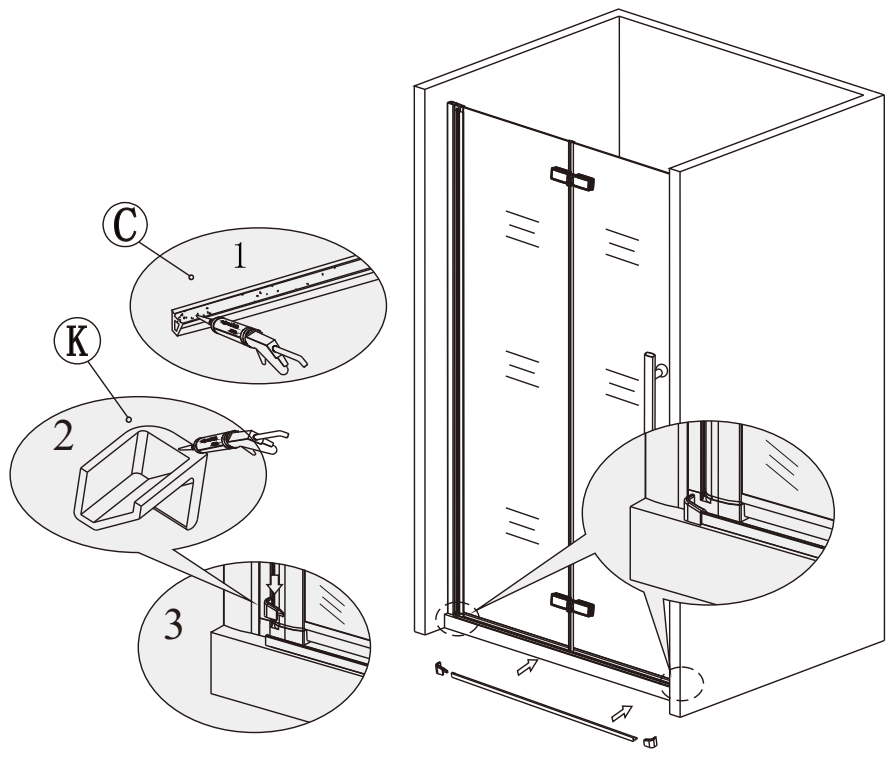
(6)



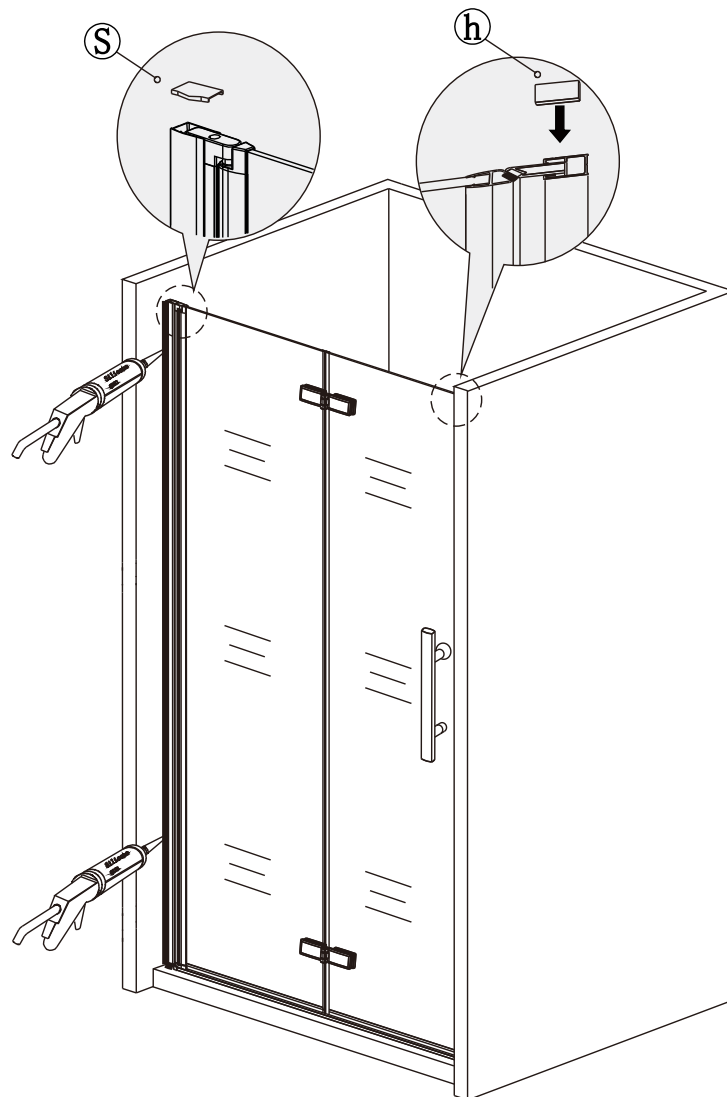
10



11



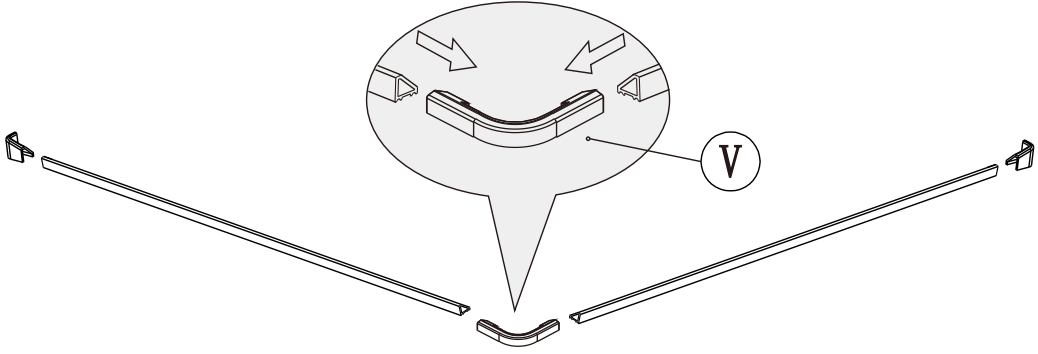
(7)



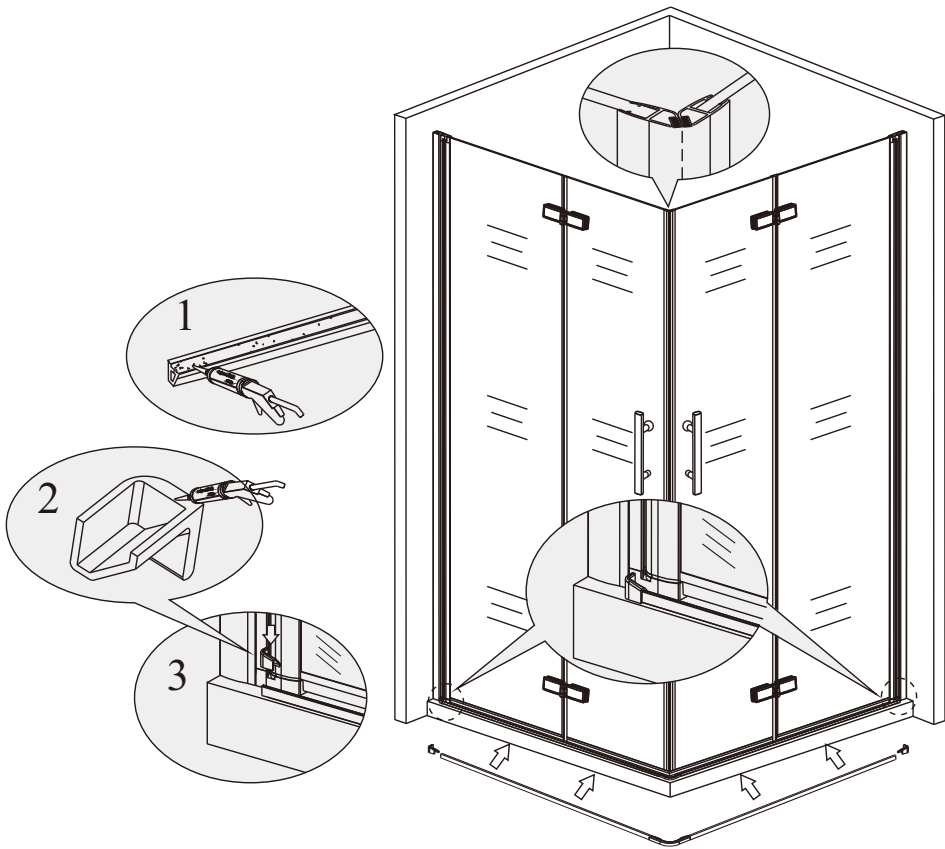
Apply some silicone on the outside edge of the shower enclosure (between the wall profiles and wall and between the frame and the tray) to enhance waterproof. After installation, it needs 24hours for silicone to dry before being put into use.

13

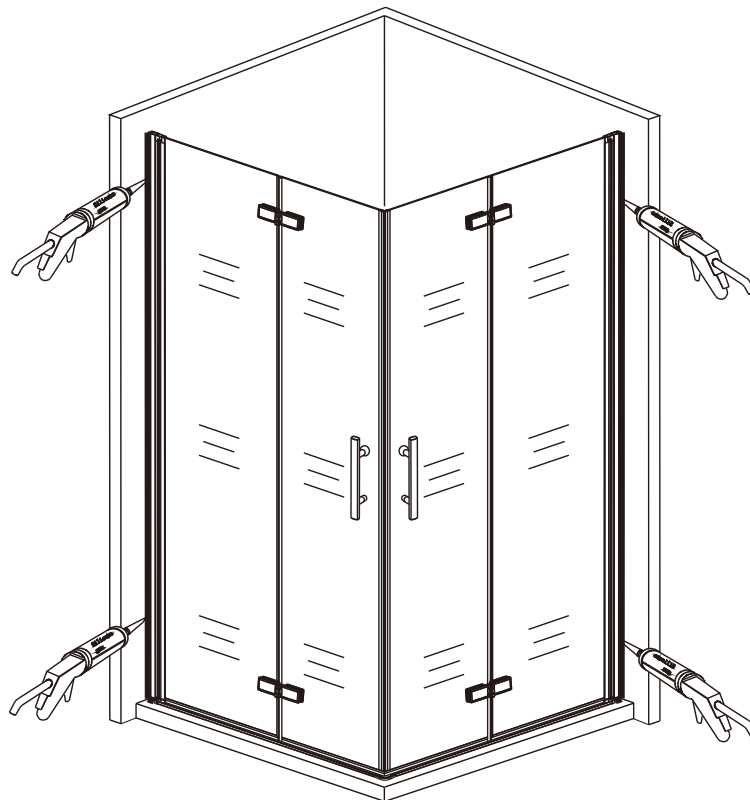
A. DOUBLE OUTWARDS DOORS



14



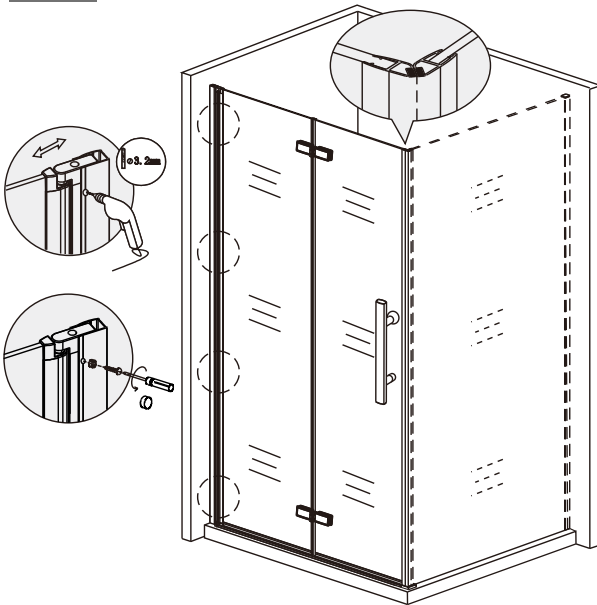
(9)



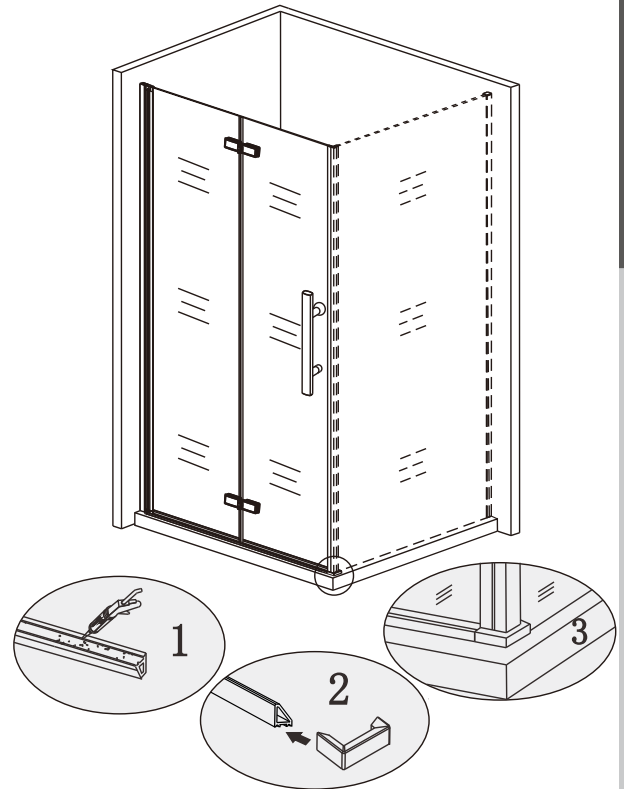
Apply some silicone on the outside edge of the shower enclosure (between the wall profiles and wall and between the frame and the tray) to enhance waterproof. After installation, it needs 24hours for silicone to dry before being put into use.

## B. MATCH WITH SIDE PANEL

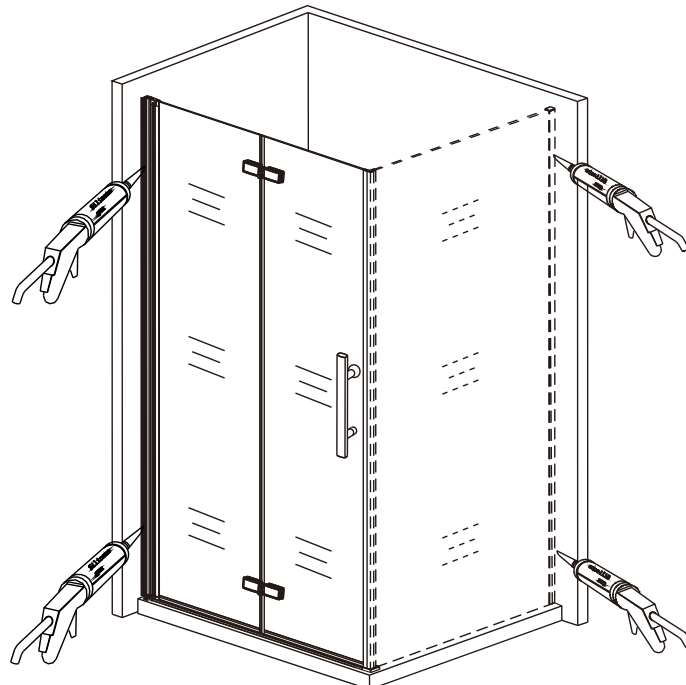
16



17



18



Apply some silicone on the outside edge of the shower enclosure (between the wall profiles and wall and between the frame and the tray) to enhance waterproof. After installation, it needs 24hours for silicone to dry before being put into use.

## Cleaning & maintenance

Clean the sundries regularly to prevent the drain from being jammed. Usually, clean the shower enclosure by mop with mild detergent.

Don't clean the shower enclosure with irritant detergent, such as alcohol, gasoline or other chemical cleaner.

Should there be any dirty stains on the shower enclosure, you may clean it by calico with toothpaste, but you need to clean it with water afterwards.

After the installation is completed, if you find there is much noise when the glass door moves, you may add small quantity of lubricant onto the roller wheel, slipping hook and the track.