

# HANSA

## INSTALLATION AND MAINTENANCE GUIDE





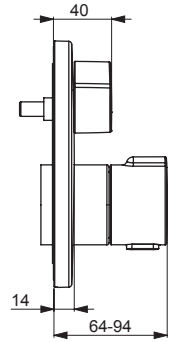
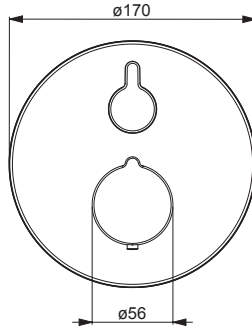
## Contents

<b>CZ</b> Obsah	<b>FI</b> Sisällysluettelo	<b>IT</b> Indice	<b>PT</b> Conteúdo
<b>DE</b> Inhaltsübersicht	<b>FR</b> Sommaire	<b>NL</b> Inhoud	<b>RU</b> Содержание
<b>DK</b> Indholdsfortegnelse	<b>GR</b> Περιεχόμενα	<b>NO</b> Innhold	<b>SE</b> Innehållsförteckning
<b>ES</b> Contenidos	<b>HU</b> Tartalom	<b>PL</b> Spis treści	<b>SK</b> Obsah

Dimensions.....	4-8
Maintenance.....	9
Spare parts.....	10-13

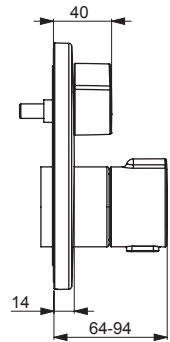
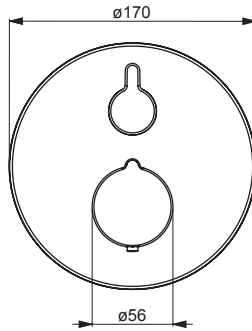
## 8861 9045

EN 1111  
100 - 1000 kPa  
0.37 l/s (300 kPa)  
max. +90°C



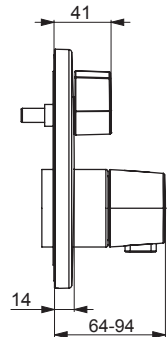
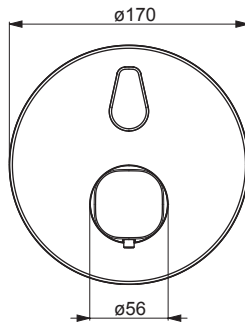
## 8862 9045, 8862 3045

EN 1111  
100 - 1000 kPa  
0.38 l/s (300 kPa)  
max. +90°C



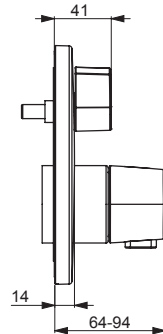
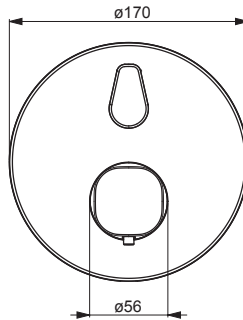
## 8113 9552

EN 1111  
100 - 1000 kPa  
0.37 l/s (300 kPa)  
max. +90°C



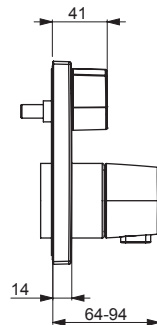
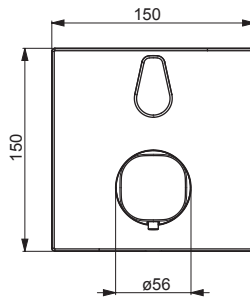
### 8114 9552, 8114 3552

EN 1111  
 100 - 1000 kPa  
 0.37 l/s (300 kPa)  
 max. +90°C



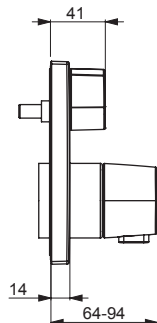
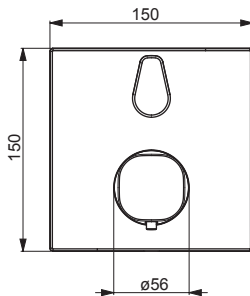
### 8113 9562

EN 1111  
 100 - 1000 kPa  
 0.38 l/s (300 kPa)  
 max. +90°C



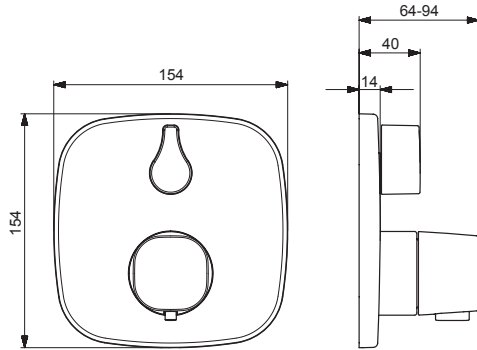
### 8114 9562, 8114 3562

EN 1111  
 100 - 1000 kPa  
 0.37 l/s (300 kPa)  
 max. +90°C



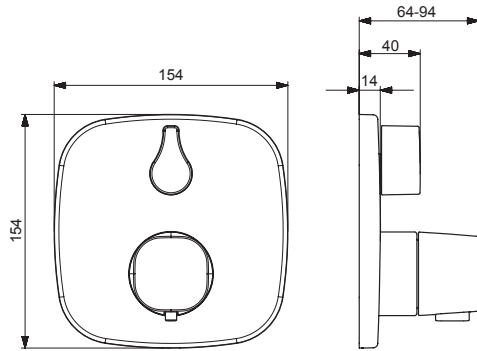
**8113 9572**

EN 1111  
100 - 1000 kPa  
0.37 l/s (300 kPa)  
max. +90°C



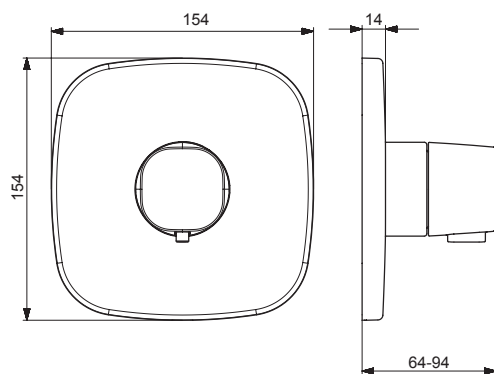
**8114 9572**

EN 1111  
100 - 1000 kPa  
0.37 l/s (300 kPa)  
max. +90°C



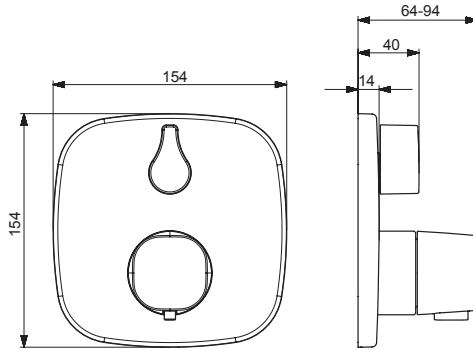
**8112 9583**

EN 1111  
100 - 1000 kPa  
0.37 l/s (300 kPa)  
max. +90°C



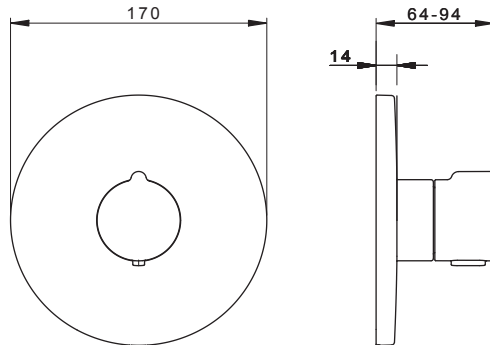
### 8114 3572

EN 1111  
 100 - 1000 kPa  
 0.37 l/s (300 kPa)  
 max. +90°C



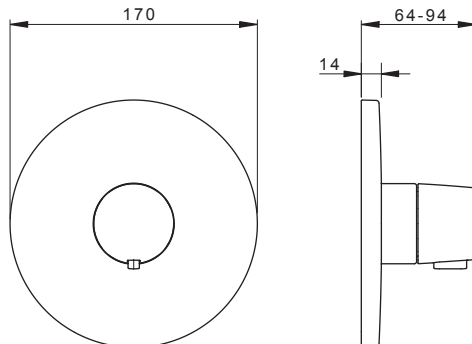
### 8860 9045

EN 1111  
 100 - 1000 kPa  
 0.37 l/s (300 kPa)  
 max. +90°C



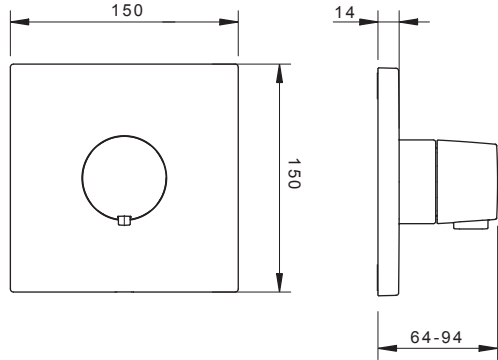
### 8866 9501

EN 1111  
 100 - 1000 kPa  
 0.38 l/s (300 kPa)  
 max. +90°C



**8112 9573**

EN 1111  
100 - 1000 kPa  
0.37 l/s (300 kPa)  
max. +90°C





## Cleaning the faucet

**CZ** Čištění baterie

**DE** Reinigung der Armatur

**DK** Rengøring af armaturet

**ES** Limpieza de la grifería

**FI** Puhdistus

**FR** Nettoyage du robinet

**GR** Καθαρισμός του βρύση

**HU** Takarítás a csapot

**IT** Pulizia della rubinetteria

**NL** Reinigen van de kraan

**NO** Rengjøring av kranen

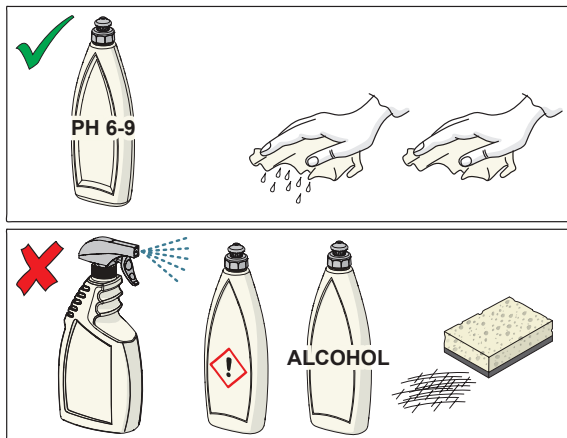
**PL** Czystczenie baterii

**PT** Limpeza da torneira

**RU** Чистка смесителя

**SE** Rengöring av blandarna

**SK** Čistenie vodovodnej batérie

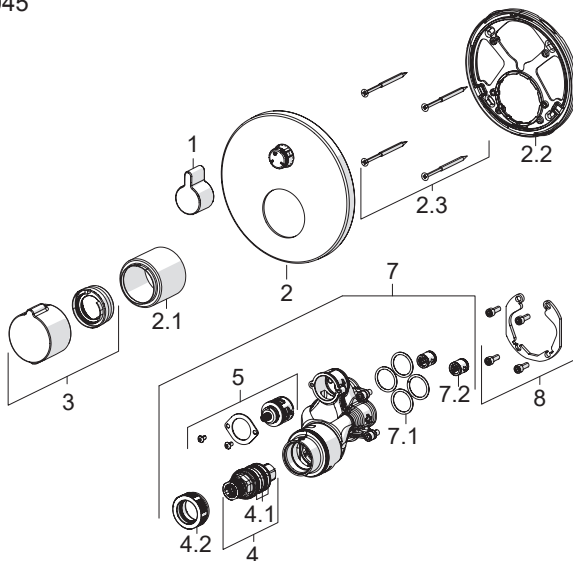


## Spare parts

<b>CZ</b> Náhradní díly	<b>FI</b> Varaosat	<b>NL</b> Reserveonderdelen	<b>RU</b> Запасные части
<b>DE</b> Ersatzteile	<b>FR</b> Pièces détachées	<b>NO</b> Reservedeler	<b>SE</b> Reservdelar
<b>DK</b> Reservedele	<b>HU</b> Alkatrészek	<b>PL</b> Części zamienne	<b>SK</b> Náhradné diely
<b>ES</b> Piezas de recambio	<b>IT</b> Pezzi di ricambio	<b>PT</b> Peças de reposição	

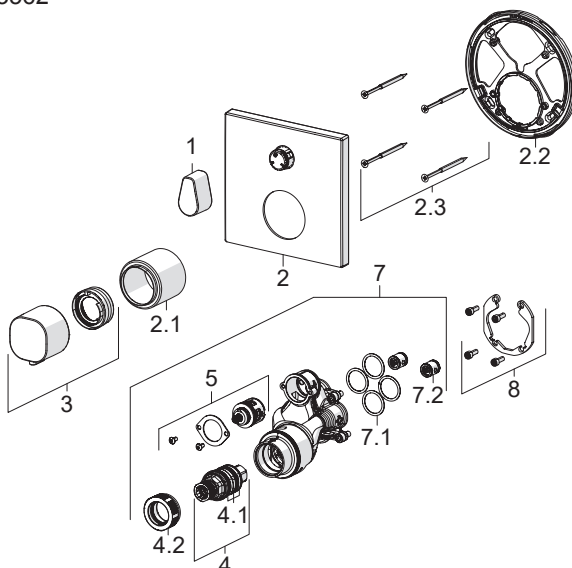
**8861** 9045, **8862** 9045, **8862** 3045

- 1 59 914 322
- 2 59 914 317
- 2.1 59 914 294
- 2.2 59 914 307
- 2.3 59 912 890
- 3 59 914 320
- 4 59 914 114
- 4.1 59 914 113
- 4.2 59 914 319
- 5 59 914 183
- 7 59 914 316 (**8861** 9045)
- 7 59 914 311 (**8862** 9045)
- 7 59 914 314 (**8862** 3045)
- 7.1 59 914 304
- 7.2 59 905 714
- 8 59 914 186



**8113** 9562, **8114** 9562, **8114** 3562

- 1 59 914 313
- 2 59 914 315
- 2.1 59 914 294
- 2.2 59 914 307
- 2.3 59 912 890
- 3 59 914 295
- 4 59 914 114
- 4.1 59 914 113
- 4.2 59 914 319
- 5 59 914 183
- 7 59 914 316 (**8113** 9562)
- 7 59 914 311 (**8114** 9562)
- 7 59 914 314 (**8114** 3562)
- 7.1 59 914 304
- 7.2 59 905 714
- 8 59 914 186

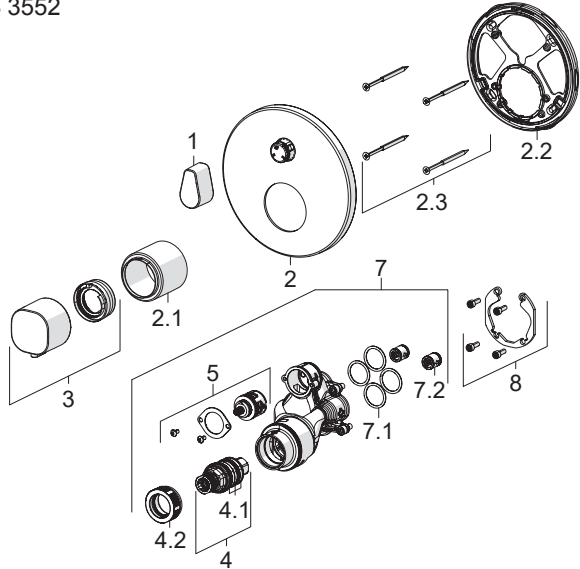


## Spare parts

<b>CZ</b> Náhradní díly	<b>FI</b> Varaosat	<b>NL</b> Reserveonderdelen	<b>RU</b> Запасные части
<b>DE</b> Ersatzteile	<b>FR</b> Pièces détachées	<b>NO</b> Reservedeler	<b>SE</b> Reservdelar
<b>DK</b> Reservedele	<b>HU</b> Alkatrészek	<b>PL</b> Części zamienne	<b>SK</b> Náhradné diely
<b>ES</b> Piezas de recambio	<b>IT</b> Pezzi di ricambio	<b>PT</b> Peças de reposição	

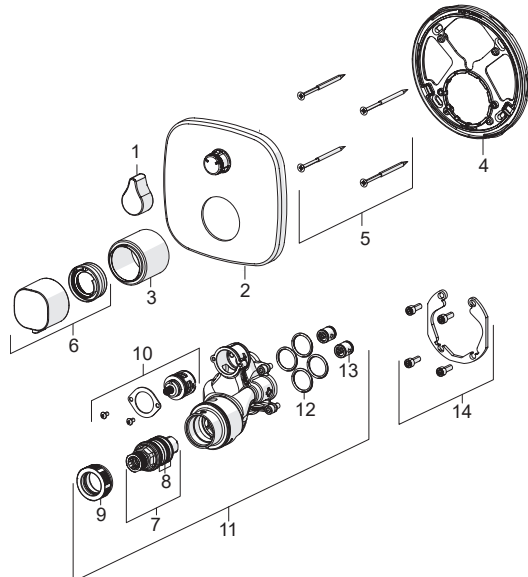
### 8113 9552, 8114 9552, 8114 3552

- 1 59 914 313
- 2 59 914 317
- 2.1 59 914 294
- 2.2 59 914 307
- 2.3 59 912 890
- 3 59 914 295
- 4 59 914 114
- 4.1 59 914 113
- 4.2 59 914 319
- 5 59 914 183
- 7 59 914 316 (8113 9552)
- 7 59 914 311 (8114 9552)
- 7 59 914 314 (8114 3552)
- 7.1 59 914 304
- 7.2 59 905 714
- 8 59 914 186



### 8113 9572, 8114 9572, 8114 3572

- 1 59 914 577
- 2 59 914 578
- 3 59 914 294
- 4 59 914 307
- 5 59 912 890
- 6 59 914 295
- 7 59 914 114
- 8 59 914 113
- 9 59 914 319
- 10 59 914 183
- 11 59 914 316 (8113 9572)
- 11 59 914 311 (8114 9572)
- 11 59 914 314 (8114 3572)
- 12 59 914 304
- 13 59 905 714
- 14 59 914 186



## Spare parts

**CZ** Náhradní díly  
**DE** Ersatzteile  
**DK** Reservedele  
**ES** Piezas de recambio

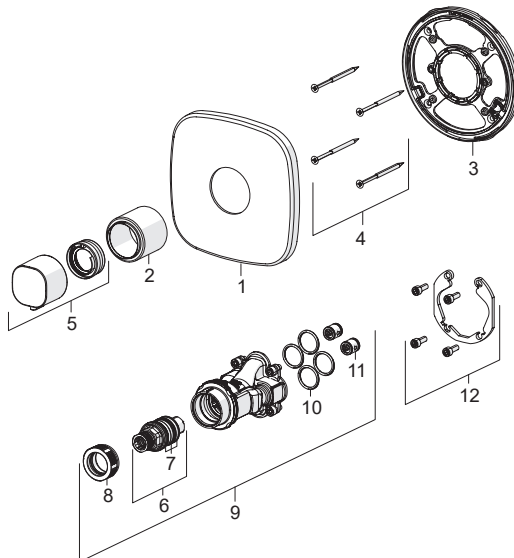
**FI** Varaosat  
**FR** Pièces détachées  
**HU** Alkatrészek  
**IT** Pezzi di ricambio

**NL** Reserveonderdelen  
**NO** Reservedeler  
**PL** Części zamienne  
**PT** Peças de reposição

**RU** Запасные части  
**SE** Reservdelar  
**SK** Náhradné diely

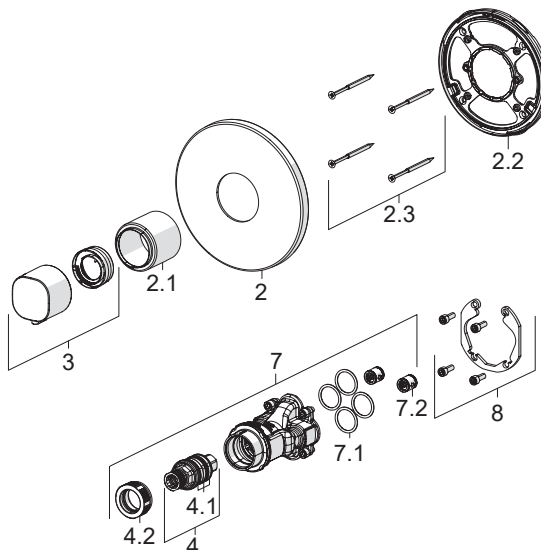
### 8112 9583

- 1 59 914 581
- 2 59 914 294
- 3 59 914 296
- 4 59 912 890
- 5 59 914 295
- 6 59 914 114
- 7 59 914 113
- 8 59 914 319
- 9 59 914 293
- 10 59 914 304
- 11 59 905 714
- 12 59 914 186



### 8866 9501

- 2 59 914 318
- 2.1 59 914 294
- 2.2 59 914 296
- 2.3 59 912 890
- 3 59 914 295
- 4 59 914 114
- 4.1 59 914 113
- 4.2 59 914 319
- 7 59 914 293
- 7.1 59 914 304
- 7.2 59 905 714
- 8 59 914 186

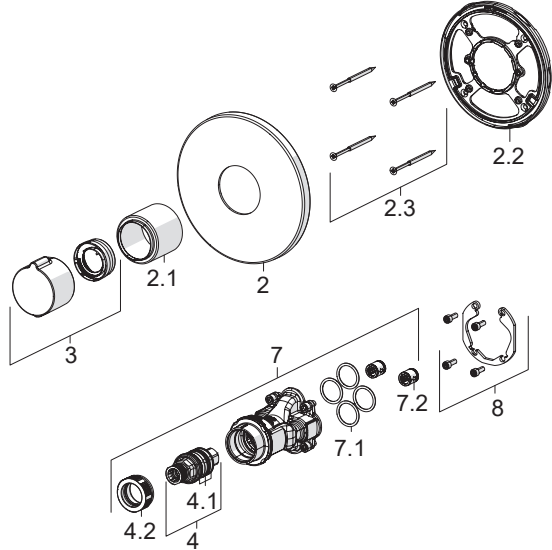


## Spare parts

<b>CZ</b> Náhradní díly	<b>FI</b> Varaosat	<b>NL</b> Reserveonderdelen	<b>RU</b> Запасные части
<b>DE</b> Ersatzteile	<b>FR</b> Pièces détachées	<b>NO</b> Reservedeler	<b>SE</b> Reservdelar
<b>DK</b> Reservedele	<b>HU</b> Alkatrészek	<b>PL</b> Części zamienne	<b>SK</b> Náhradné diely
<b>ES</b> Piezas de recambio	<b>IT</b> Pezzi di ricambio	<b>PT</b> Peças de reposição	

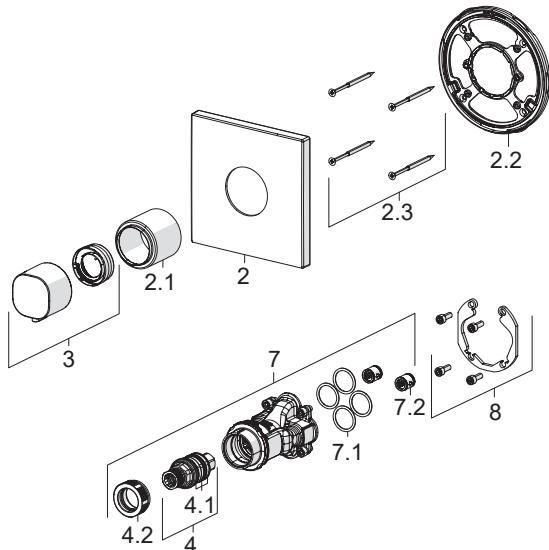
### 8860 9045

- 2 59 914 318
- 2.1 59 914 294
- 2.2 59 914 296
- 2.3 59 912 890
- 3 59 914 320
- 4 59 914 114
- 4.1 59 914 113
- 4.2 59 914 319
- 7 59 914 293
- 7.1 59 914 304
- 7.2 59 905 714
- 8 59 914 186



### 8112 9573

- 2 59 914 297
- 2.1 59 914 294
- 2.2 59 914 296
- 2.3 59 912 890
- 3 59 914 295
- 4 59 914 114
- 4.1 59 914 113
- 4.2 59 914 319
- 7 59 914 293
- 7.1 59 914 304
- 7.2 59 905 714
- 8 59 914 186







Oras Group is a powerful European provider of sanitary fittings: the market leader in the Nordics and a leading company in Continental Europe. The company's mission is to make the use of water easy and sustainable and its vision is to become the European leader of advanced sanitary fittings. Oras Group has two strong brands, Oras and Hansa.

The head office of the Group is located in Rauma, Finland, and the Group has four manufacturing sites: Burglengenfeld (Germany), Kralovice (Czech Republic), Olesno (Poland) and Rauma (Finland). Oras Group employs approximately 1400 people in twenty countries. Oras Group is owned by Oras Invest, a family company and an industrial owner.

HANSA Armaturen GmbH  
P. O. BOX 81 02 40  
D-70519 Stuttgart

Sigmaringer Strasse 107  
D-70567 Stuttgart  
Tel.: +49 711 16 14 0  
Fax: +49 711 16 14 368  
info@hansa.de

**[www.hansa.com](http://www.hansa.com)**



a member of  orasgroup