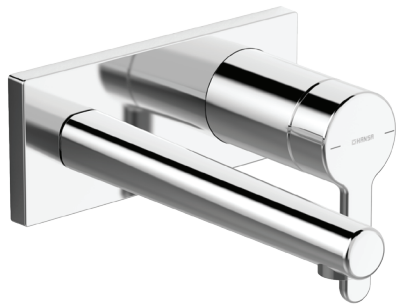


# HANSADESIGNO STYLE

INSTALLATION AND MAINTENANCE GUIDE





## Contents

**CZ** Obsah

**DE** Inhaltsübersicht

**ES** Contenidos

**FR** Sommaire

**GR** Περιεχόμενα

**HU** Tartalom

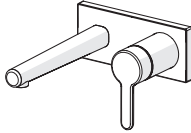
**IT** Indice

**NL** Inhoud

**PT** Conteúdo

**RO** Cuprins

**SK** Obsah



Technical data.....	4
Installation .....	5-7
Operation.....	8
Maintenance.....	8-12
Spare parts.....	13

## 5109 2183

EN 817

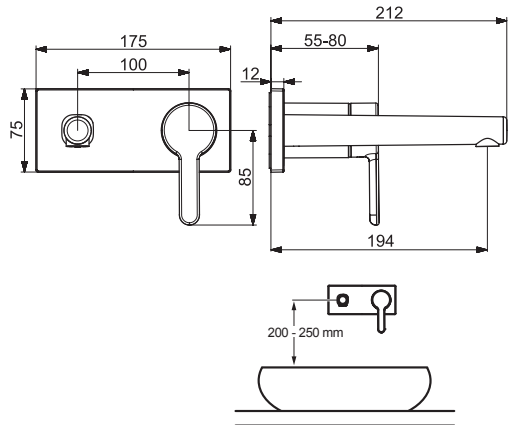
I (ISO 3822)

50 -1000 kPa

0.1 l/s (300 kPa) (with flow control)

200 kPa (0.1 l/s)

max. +90°C



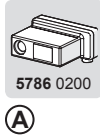
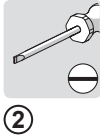
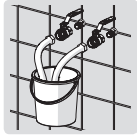
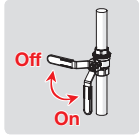
## Installation

CZ Montáž  
DE Montage  
ES Montaje

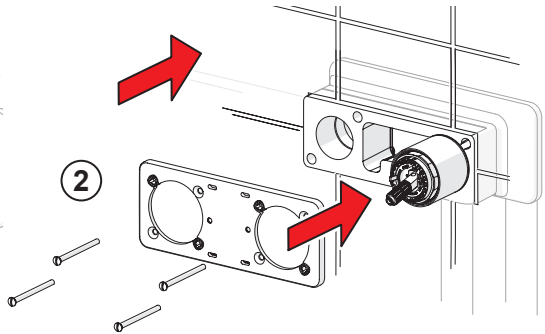
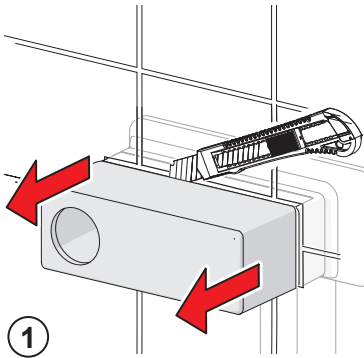
FR Installation  
GR Συναρμολόγηση  
HU Szerelés

IT Montaggio  
NL Installatie  
PT Instruções

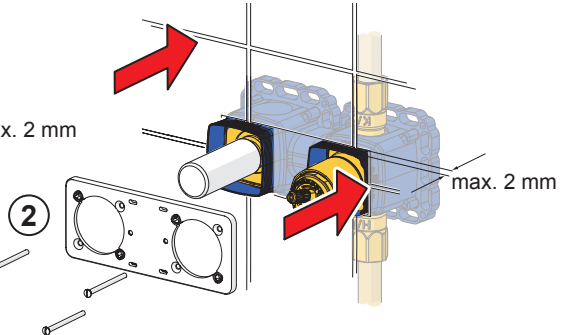
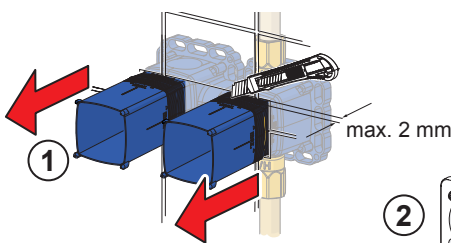
RO Instalare  
SK Inštalácia



**A**



**B**



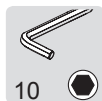
## Installation

**CZ** Montáž  
**DE** Montage  
**ES** Montaje

**FR** Installation  
**GR** Συναρμολόγηση  
**HU** Szerelés

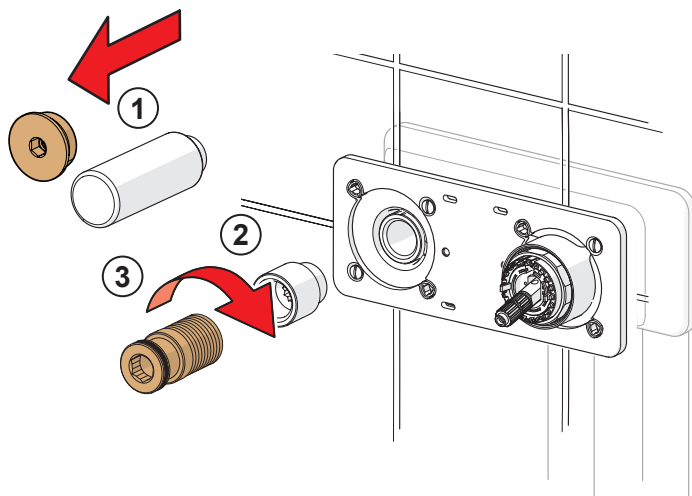
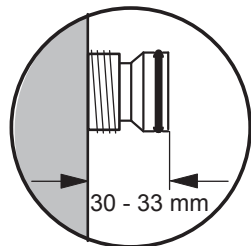
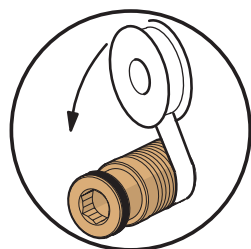
**IT** Montaggio  
**NL** Installatie  
**PT** Instruções

**RO** Instalare  
**SK** Inštalácia



10

③



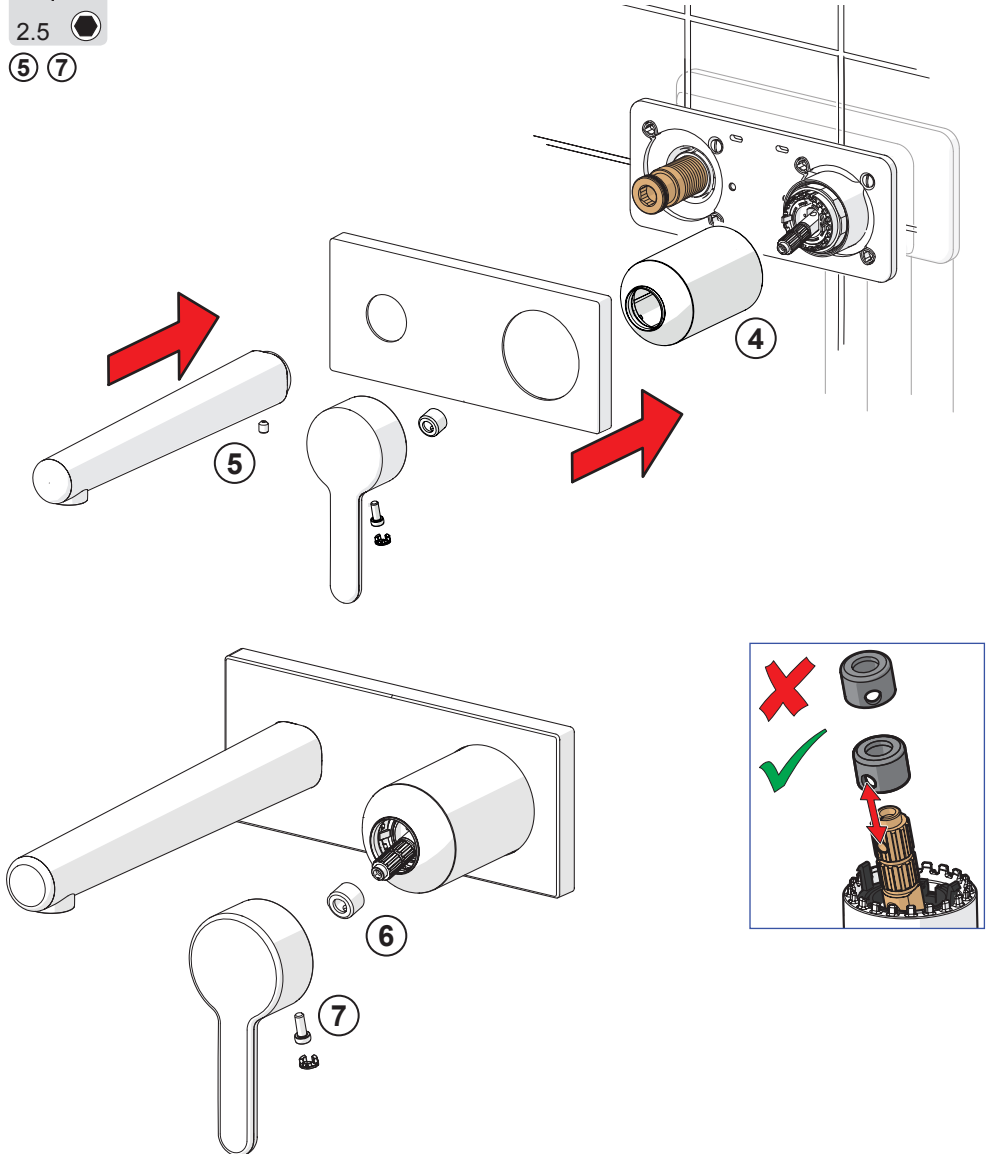
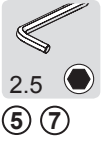
## Installation

**CZ** Montáž  
**DE** Montage  
**ES** Montaje

**FR** Installation  
**GR** Συναρμολόγηση  
**HU** Szerelés

**IT** Montaggio  
**NL** Installatie  
**PT** Instruções

**RO** Instalare  
**SK** Inštalácia



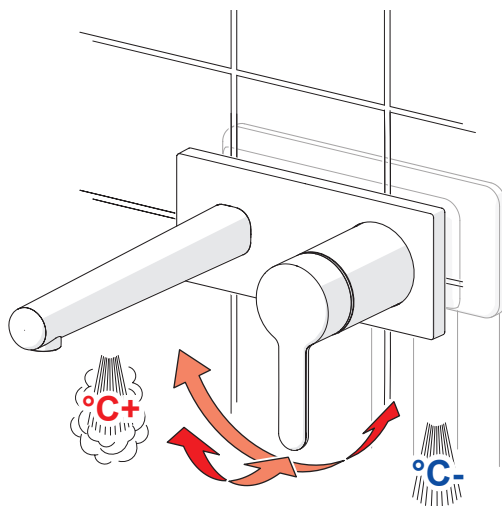
## Operation

**CZ** Funkce  
**DE** Funktion  
**ES** Servicio

**FR** Utilisation  
**GR** Λειτουργία  
**HU** Üzemeltetés

**IT** Funzionamento  
**NL** Bediening  
**PT** Funcionamento

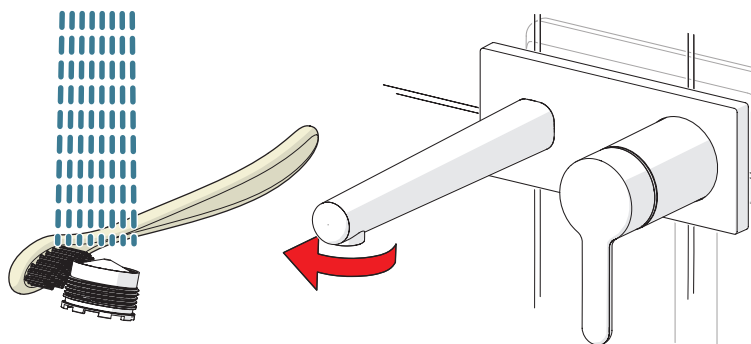
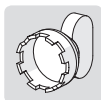
**RO** Funcționare  
**SK** Prevádzka



## Cleaning/Changing the aerator

**CZ** Čištění/Výměna perlátoru  
**DE** Reinigung/Wechseln des Luftsprudlers  
**ES** Limpieza/Cambiar el aireador  
**FR** Nettoyage/Changement de l'aérateur  
**GR** Καθαρισμός/αλλαγή αεριστήρα  
**HU** Az aerátor tisztítása/cseréje

**IT** Pulizia/Sostituzione dell'aeratore  
**NL** Reinigen/veranderen van de perlator  
**PT** Limpar/substituir o arejador  
**RO** Curățirea/Înlocuirea aeratorului  
**SK** Čistenie/Výmena perlátora





## Limiting the flow rate

**CZ** Omezení průtoků

**DE** Begrenzung der Durchflußmenge

**ES** Limitación de la tasa de flujo

**FR** Limitation du débit

**GR** Περιορισμός ρυθμού ροής

**HU** Az áramlás határolása

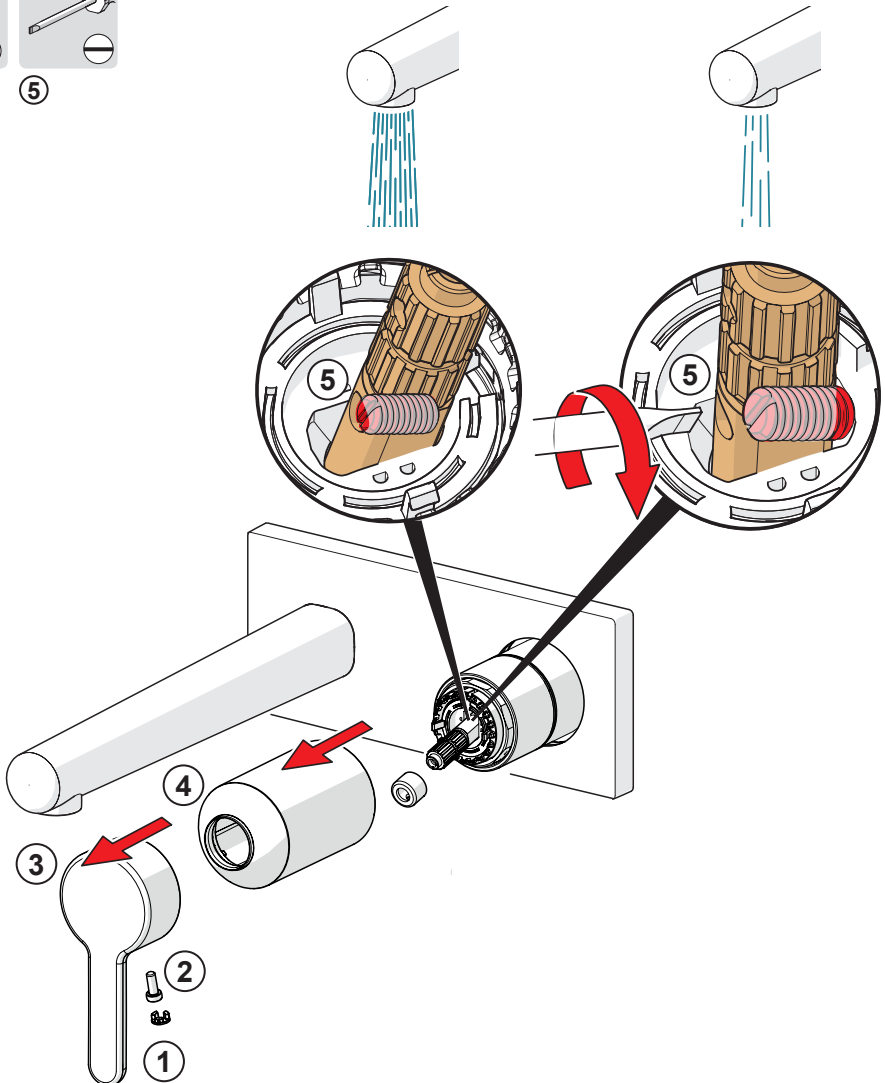
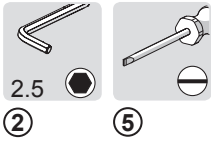
**IT** Limitazione della portata

**NL** Begrenzing van de doorstroomhoeveelheid

**PT** Limitar o caudal

**RO** Limitarea debitulu

**SK** Obmedzenie prietoku



## Limiting temperature

**CZ** Omezení teploty vody

**DE** Temperaturbegrenzung

**ES** Limitación de la temperatura

**FR** Limitation de la température

**GR** Περιορισμός θερμοκρασίας

**HU** A hőmérséklet határolása

**IT** Limitazione della temperatura

**NL** Perlator vervangent

**PT** Limitar a temperatura

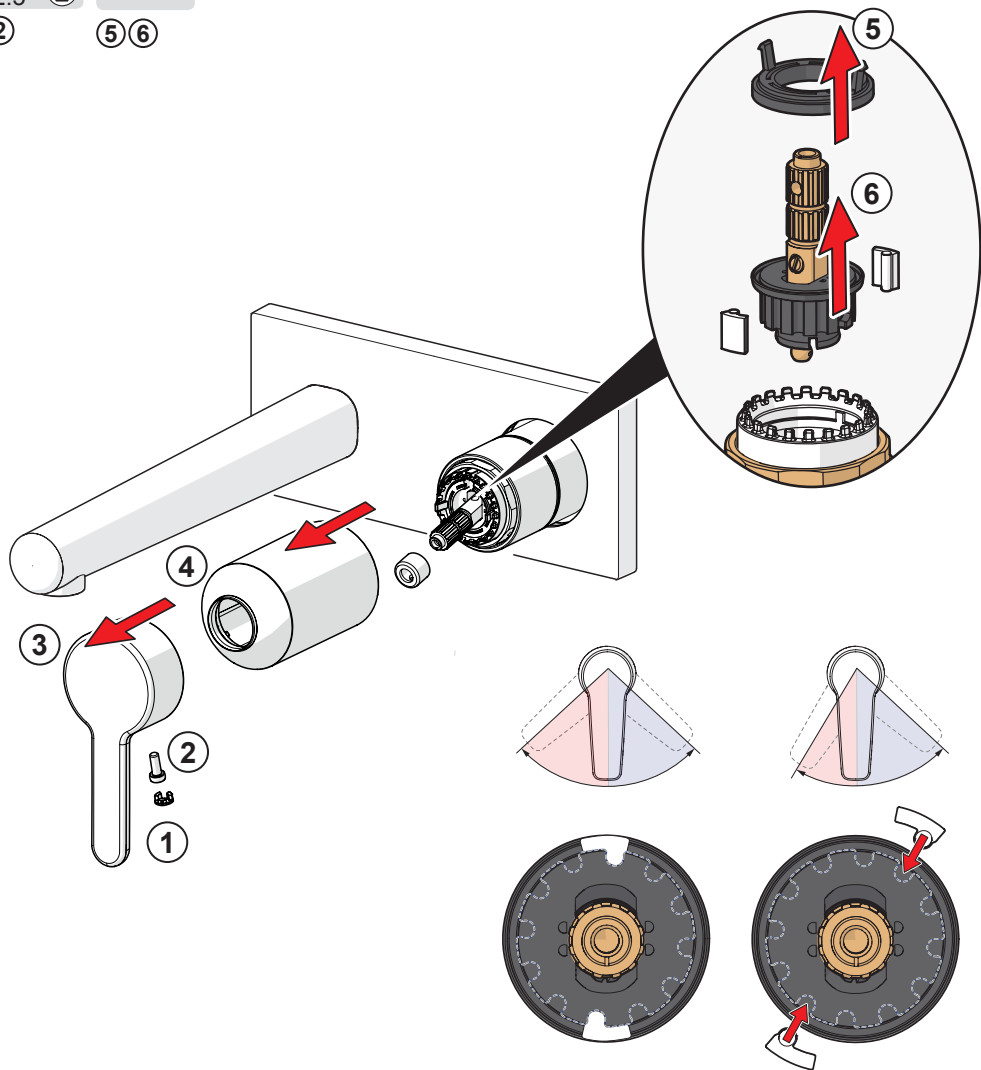
**RO** Limitarea temperaturii

**SK** Obmedzenie teploty



②

⑤ ⑥



## Changing the cartridge

**CZ** Výměna kartuše

**DE** Wechsel der Patrone

**ES** Montaje del cartucho

**FR** Montage et démontage de la cartouche

**GR** Αντικατάσταση του στοιχείου

**HU** A patron cseréje

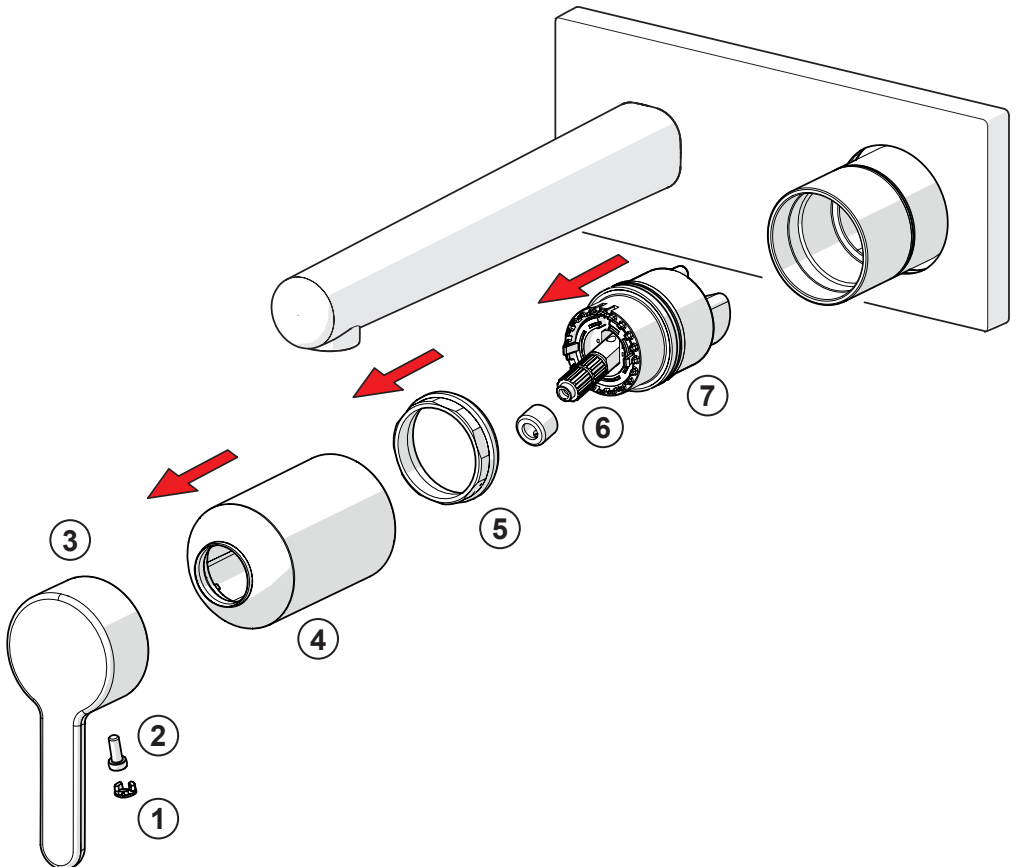
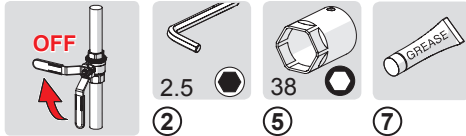
**IT** Montaggio della cartuccia

**NL** Vervangen van het keramische binnenwerk

**PT** Substituição do cartucho

**RO** Înlocuirea cartuşului

**SK** Výměna kartuše



## Cleaning the faucet

**CZ** Čištění baterie

**DE** Reinigung der Armatur

**ES** Limpieza de la grifería

**FR** Nettoyage du robinet

**GR** Καθαρισμός του βρύση

**HU** Takarítás a csapot

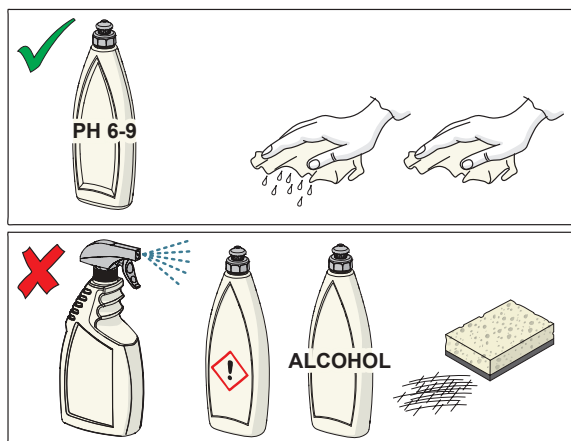
**IT** Pulizia della rubinetteria

**NL** Reinigen van de kraan

**PT** Limpeza da torneira

**RO** Curățire

**SK** Čistenie vodovodnej batérie

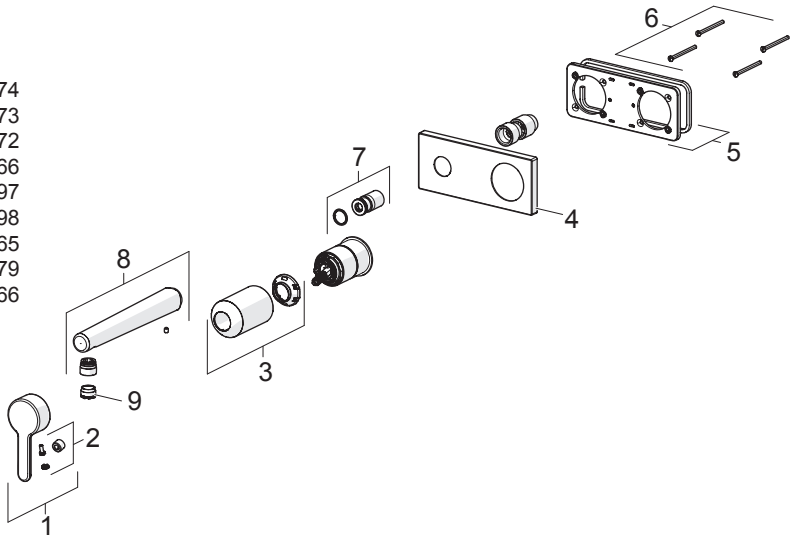


## Spare parts

<b>CZ</b> Náhradní díly	<b>FR</b> Pièces détachées	<b>IT</b> Pezzi di ricambio	<b>RO</b> Piese de schimb
<b>DE</b> Ersatzteile	<b>GR</b> Ανταλλακτικά	<b>NL</b> Reserve-onderdelen	<b>SK</b> Náhradné diely
<b>ES</b> Piezas de recambio	<b>HU</b> Alkatrészek	<b>PT</b> Peças de reposição	

### 5109 2183

- 1 59 914 574
- 2 59 914 573
- 3 59 914 572
- 4 59 913 866
- 5 59 913 697
- 6 59 913 698
- 7 59 913 865
- 8 59 914 679
- 9 59 913 366







Oras Group is a powerful European provider of sanitary fittings: the market leader in the Nordics and a leading company in Continental Europe. The company's mission is to make the use of water easy and sustainable and its vision is to become the European leader of advanced sanitary fittings. Oras Group has two strong brands, Oras and Hansa.

The head office of the Group is located in Rauma, Finland, and the Group has four manufacturing sites: Burglengenfeld (Germany), Kralovice (Czech Republic), Olesno (Poland) and Rauma (Finland). Oras Group employs approximately 1400 people in twenty countries. Oras Group is owned by Oras Invest, a family company and an industrial owner.

HANSA Armaturen GmbH  
P. O. BOX 81 02 40  
D-70519 Stuttgart

Sigmaringer Strasse 107  
D-70567 Stuttgart  
Tel.: +49 711 16 14 0  
Fax: +49 711 16 14 368  
info@hansa.de

**[www.hansa.com](http://www.hansa.com)**



a member of  orasgroup