

HANSA CLINICA

INSTALLATION AND MAINTENANCE GUIDE

Contents

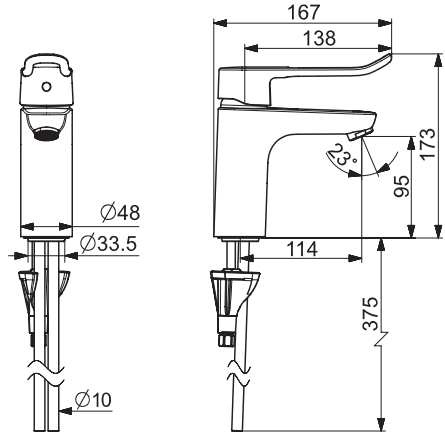
CZ Obsah	FR Sommaire	IT Indice	RO Cuprins
DE Inhaltsübersicht	GR Περιεχόμενα	NL Inhoud	SK Obsah
ES Contenidos	HU Tartalom	PT Conteúdo	



Technical data.....	4-5
Installation	6-7
Operation.....	7
Maintenance	8-11
Spare parts.....	12

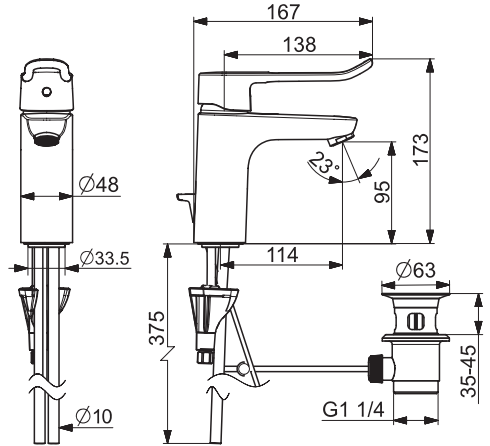
4502 2186

I (ISO 3822)
 EN 817
 50 - 1000 kPa
 0.207 l/s (300 kPa)
 70 kPa (0.1 l/s)
 max. +90°C



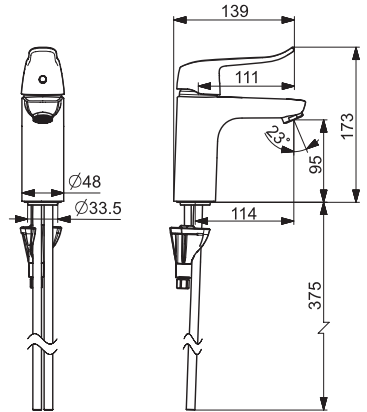
4501 2186

I (ISO 3822)
 EN 817
 50 - 1000 kPa
 0.207 l/s (300 kPa)
 70 kPa (0.1 l/s)
 max. +90°C



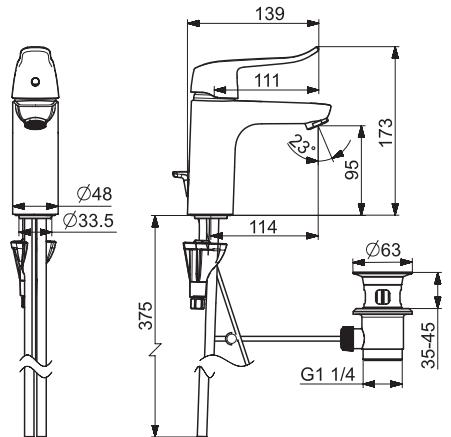
4502 2183

I (ISO 3822)
 EN 817
 50 - 1000 kPa
 0.207 l/s (300 kPa)
 70 kPa (0.1 l/s)
 max. +90°C



4501 2183

I (ISO 3822)
 EN 817
 50 - 1000 kPa
 0.207 l/s (300 kPa)
 70 kPa (0.1 l/s)
 max. +90°C



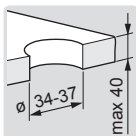
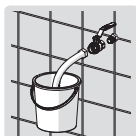
Installation

CZ Montáž
DE Montage
ES Montaje

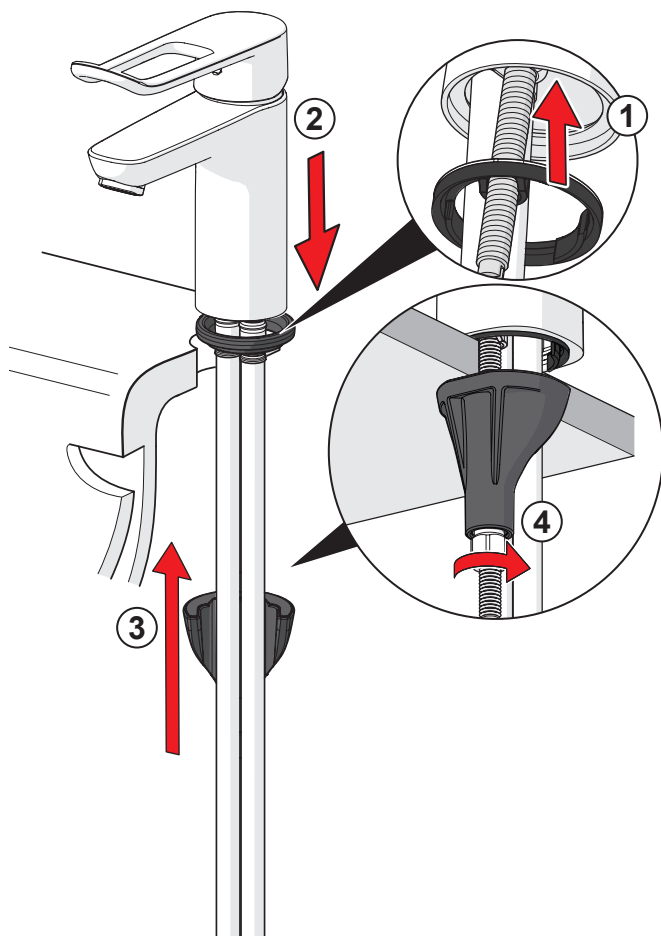
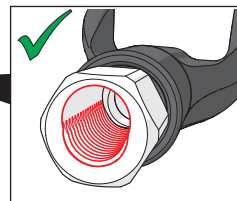
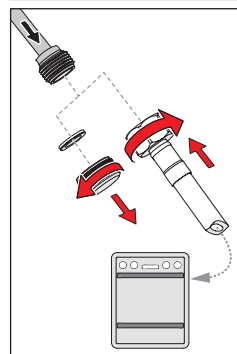
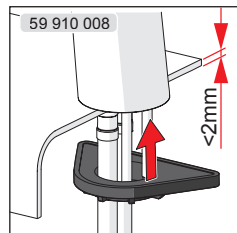
FR Installation
GR Συναρμολόγηση
HU Szerelés

IT Montaggio
NL Installatie
PT Instruções

RO Instalare
SK Inštalácia



max.
1600 kPa



Installation

CZ Montáž
DE Montage
ES Montaje

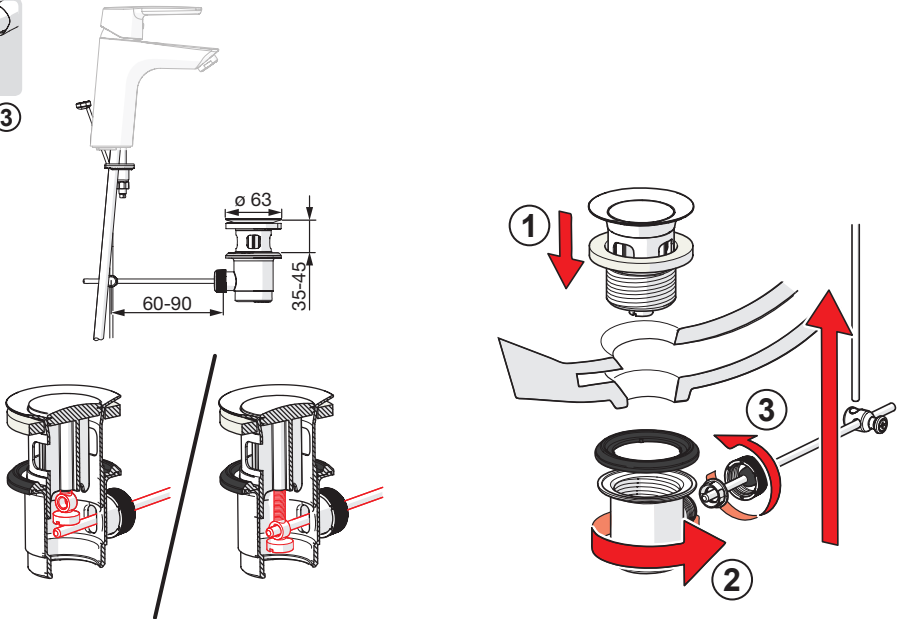
FR Installation
GR Συναρμολόγηση
HU Szerelés

IT Montaggio
NL Installatie
PT Instruções

RO Instalare
SK Inštalácia



① ② ③



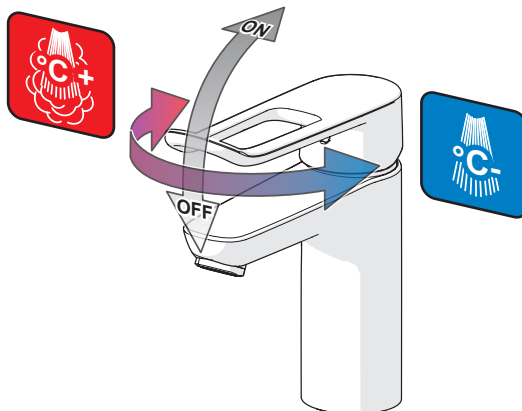
Operation

CZ Funkce
DE Funktion
ES Servicio

FR Utilisation
GR Λειτουργία
HU Üzemeltetés

IT Funzionamento
NL Bediening
PT Funcionamento

RO Funcționare
SK Prevádzka



Limiting the flow rate

CZ Omezení průtoku

DE Begrenzung der Durchflußmenge

ES Limitación de la tasa de flujo

FR Limitation du débit

GR Περιορισμός ρυθμού ροής

HU Az áramlás határolása

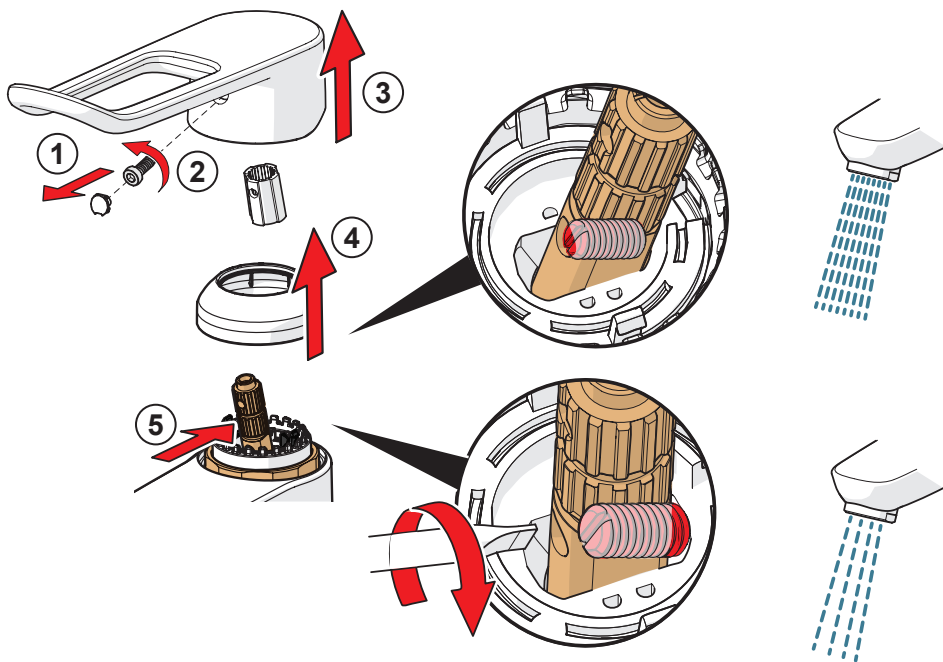
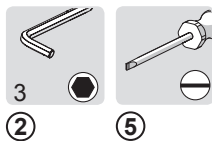
IT Limitazione della portata

NL Begrenzing van de doorstroomhoeveelheid

PT Limitar o caudal

RO Limitarea debitulu

SK Obmedzenie prietokue



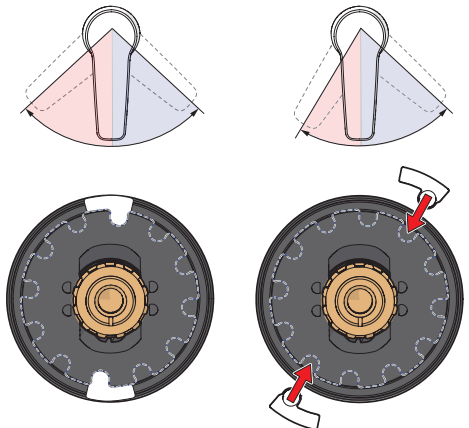
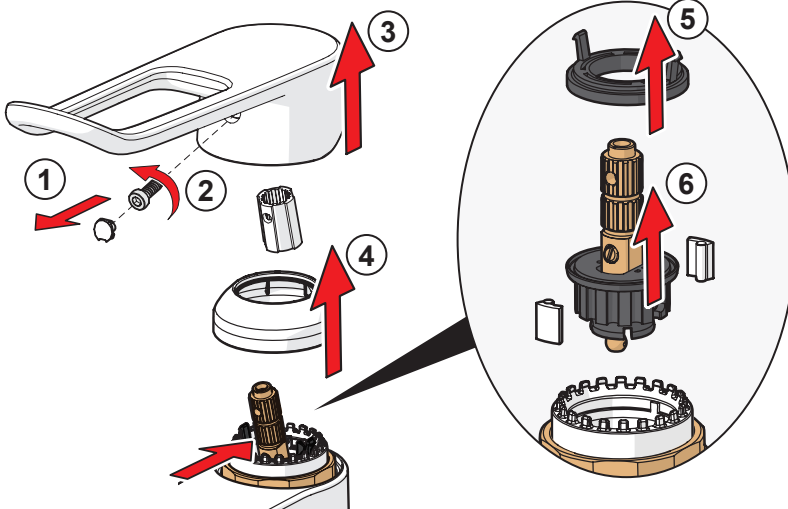
Limiting temperature

CZ Omezení teploty vody
DE Temperaturbegrenzung
ES Limitación de la temperatura
FR Limitation de la température
GR Περιορισμός θερμοκρασίας
HU A hőmérséklet határolása

IT Limitazione della temperatura
NL Perlator vervangent
PT Limitar a temperatura
RO Limitarea temperaturii
SK Obmedzenie teploty



3
 ② ⑤ ⑥



Changing the cartridge

CZ Výměna kartuše

DE Wechsel der Patrone

ES Montaje del cartucho

FR Montage et démontage de la cartouche

GR Αντικατάσταση του στοιχείου

HU A patron cseréje

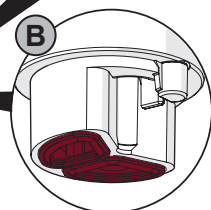
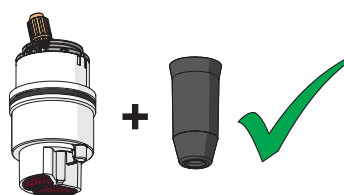
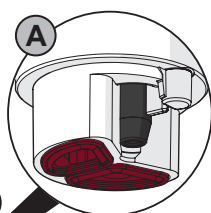
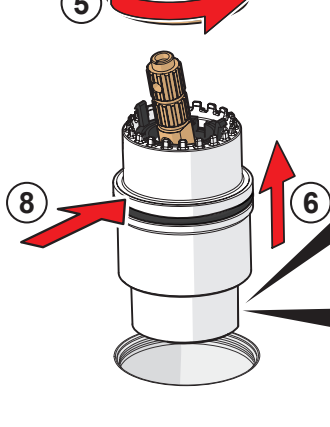
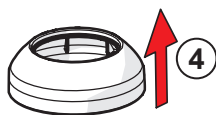
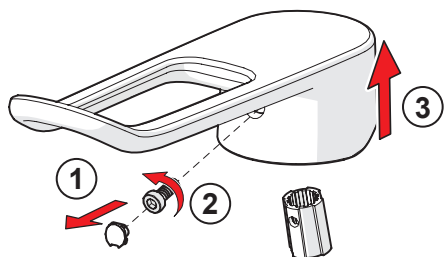
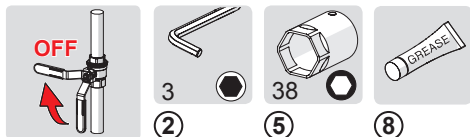
IT Montaggio della cartuccia

NL Vervangen van het keramische binnenwerk

PT Substituição do cartucho

RO Înlocuirea cartuşului

SK Výměna kartuše



Cleaning the faucet

CZ Čištění baterie

DE Reinigung der Armatur

ES Limpieza de la grifería

FR Nettoyage du robinet

GR Καθαρισμός του βρύση

HU Takarítás a csapot

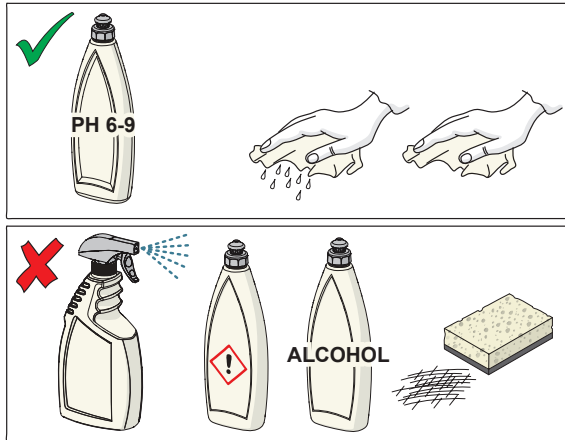
IT Pulizia della rubinetteria

NL Reinigen van de kraan

PT Limpeza da torneira

RO Curățire

SK Čistenie vodovodnej batérie



Cleaning/Changing the aerator

CZ Čištění/Výměna perlátoru

DE Reinigung/Wechseln des Luftsprudlers

ES Limpieza/Cambiar el aireador

FR Nettoyage/Changement de l'aérateur

GR Καθαρισμός/αλλαγή αεριστήρα

HU Az aerátor tisztítása/cseréje

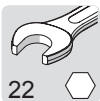
IT Pulizia/Sostituzione dell'aeratore

NL Reinigen/veranderen van de perlator

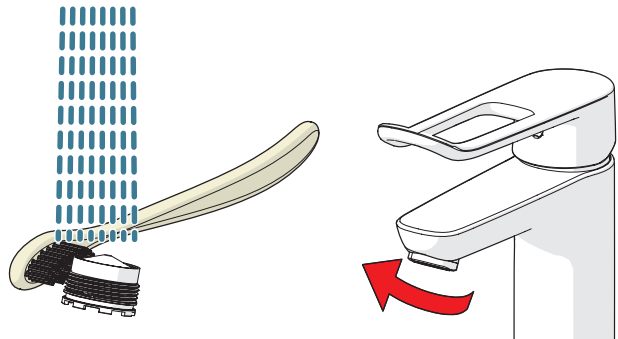
PT Limpar/substituir o arejador

RO Curățirea/Înlocuirea aeratorului

SK Čistenie/Výmena perlátora



22

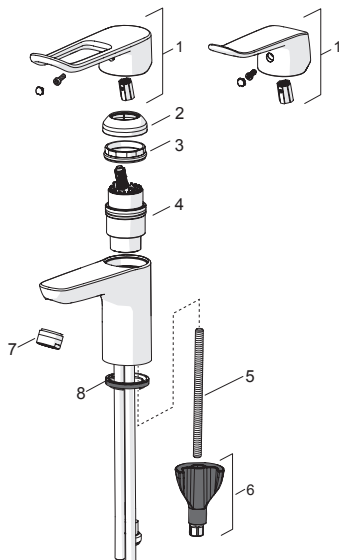


Spare parts

CZ Náhradní díly	FR Pièces détachées	IT Pezzi di ricambio	RO Piese de schimb
DE Ersatzteile	GR Ανταλλακτικά	NL Reserve-onderdelen	SK Náhradné diely
ES Piezas de recambio	HU Alkatrészek	PT Peças de reposição	

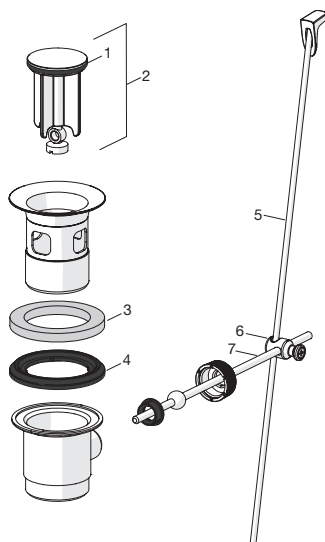
4502 2186 , 4501 2186 ,

1	59 914 719	L=136
1	59 914 716	L=162
2	59 914 478	
3	59 914 128	
4	59 914 129	
5	59 914 474	
6	59 914 475	Laminar
7	59 914 054	
7	59 914 476	
8	59 914 591	



4501 2186, 4501 2183

1	59 911 456
2	59 902 021
3	59 905 077
4	59 905 078
5	59 914 477
6	59 904 624
7	59 904 622



Oras Group is a powerful European provider of sanitary fittings: the market leader in the Nordics and a leading company in Continental Europe. The company's mission is to make the use of water easy and sustainable and its vision is to become the European leader of advanced sanitary fittings. Oras Group has two strong brands, Oras and Hansa.

The head office of the Group is located in Rauma, Finland, and the Group has four manufacturing sites: Burglengenfeld (Germany), Kralovice (Czech Republic), Olesno (Poland) and Rauma (Finland). Oras Group employs approximately 1400 people in twenty countries. Oras Group is owned by Oras Invest, a family company and an industrial owner.

HANSA Armaturen GmbH
P. O. BOX 81 02 40
D-70519 Stuttgart

Sigmaringer Strasse 107
D-70567 Stuttgart
Tel.: +49 711 16 14 0
Fax: +49 711 16 14 368
info@hansa.de

www.hansa.com



a member of  orasgroup