


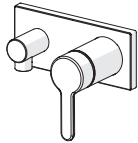
HANSA


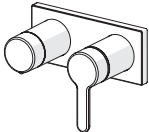
INSTALLATION AND MAINTENANCE GUIDE



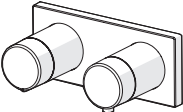




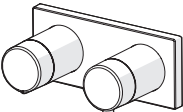
Contents

CZ Obsah	FR Sommaire	IT Indice	RO Cuprins
DE Inhaltsübersicht	GR Περιεχόμενα	NL Inhoud	SK Obsah
ES Contenidos	HU Tartalom	PT Conteúdo	

		Technical data..... 4
		Installation 5-6, 11
		Operation..... 12
		Maintenance..... 14-16
		Spare parts..... 17

		Technical data..... 4
		Installation 7-8, 11
		Operation..... 12
		Maintenance..... 14-16
		Spare parts..... 17

			Technical data..... 4
			Installation 9-10, 11
			Operation..... 13
			Maintenance..... 16
			Spare parts..... 18

			Technical data..... 4
			Installation 5-9, 11
			Operation..... 13
			Maintenance..... 16
			Spare parts..... 18

4450 9583

EN 817

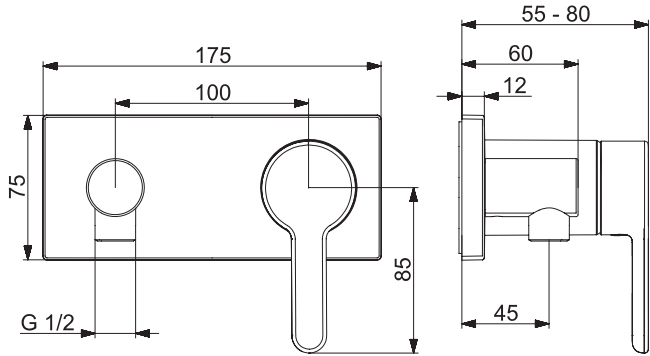
50 - 1000 kPa

max. +90°C

II (ISO 3822)

0.20 l/s (300 kPa)

300 kPa (0.2 l/s)



4451 9583

EN 817

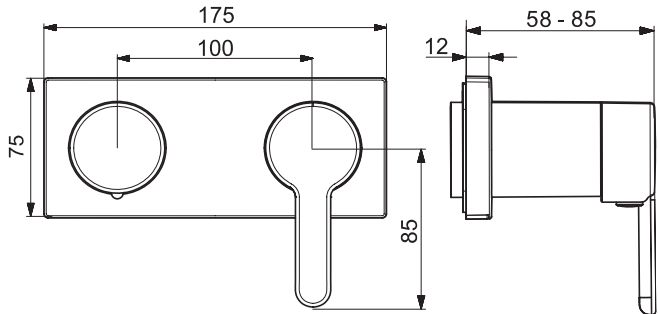
50 - 1000 kPa

max. +90°C

II (ISO 3822)

0.28 / 0.2 l/s (300 kPa)

300 kPa (0.2 l/s)



4452 9583, 4453 9583

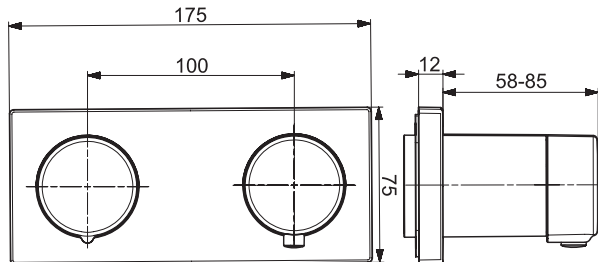
50 - 1000 kPa

max. +90°C

I (ISO 3822)

0.3 / 0.2 l/s (300 kPa)

300 kPa (0.2 l/s)



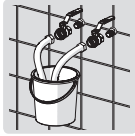
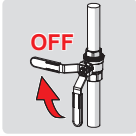
Installation

CZ Montáž
DE Montage
ES Montaje

FR Installation
GR Συναρμολόγηση
HU Szerelés

IT Montaggio
NL Installatie
PT Instruções

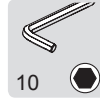
RO Instalare
SK Inštalácia



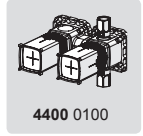
EN 806



①

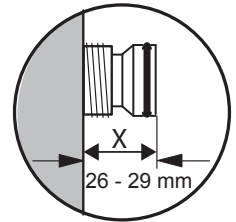
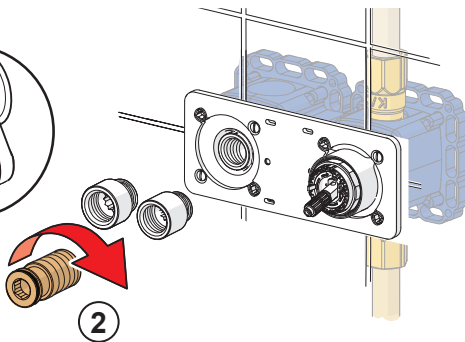
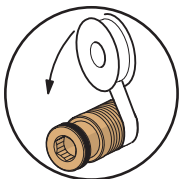
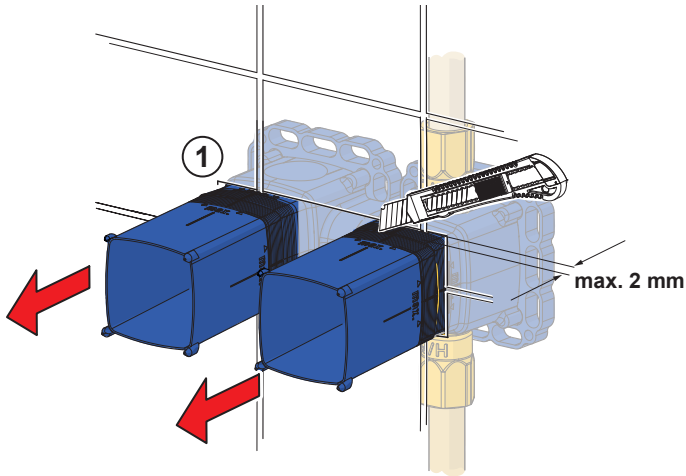


②



Ⓐ

Ⓐ



X = < 26 mm		
59 913 863 	+15 mm	
59 913 864 	+20 mm	

Installation

CZ Montáž
DE Montage
ES Montaje

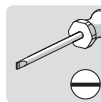
FR Installation
GR Συναρμολόγηση
HU Szerelés

IT Montaggio
NL Installatie
PT Instruções

RO Instalare
SK Inštalácia



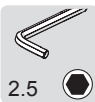
①



②

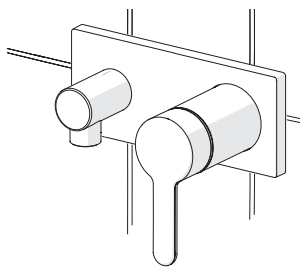
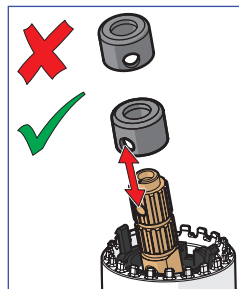
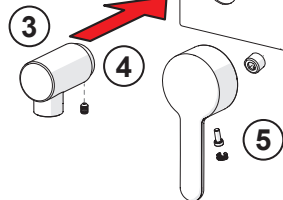
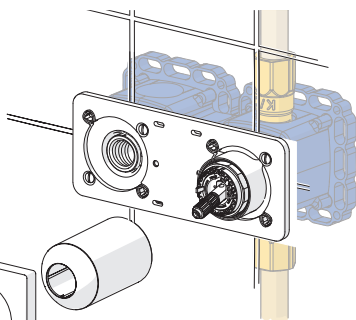
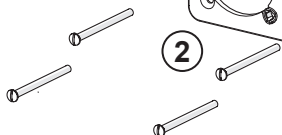
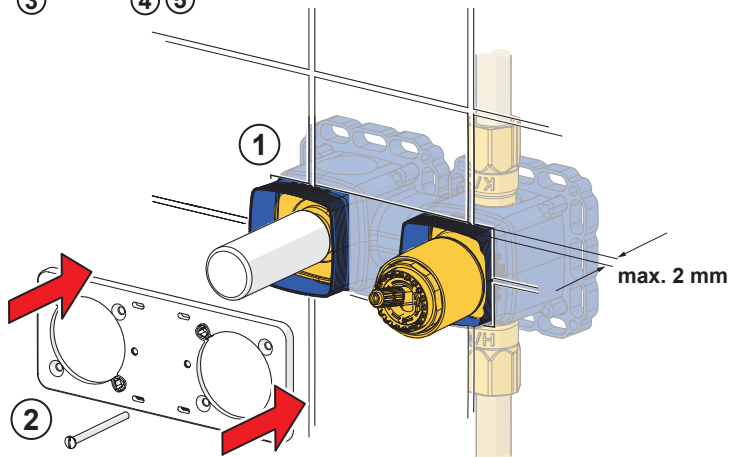


③



④ ⑤

A



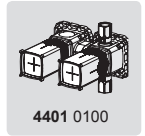
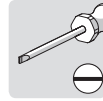
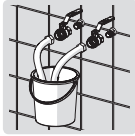
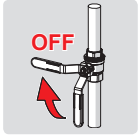
Installation

CZ Montáž
DE Montage
ES Montaje

FR Installation
GR Συναρμολόγηση
HU Szerelés

IT Montaggio
NL Installatie
PT Instruções

RO Instalare
SK Inštalácia

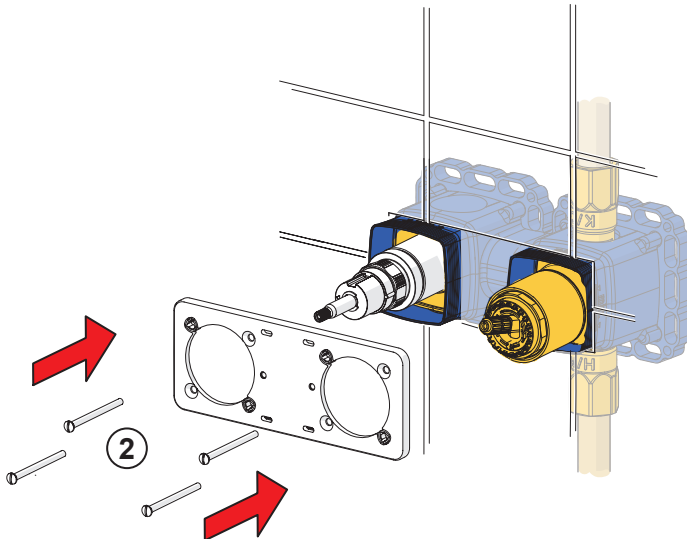
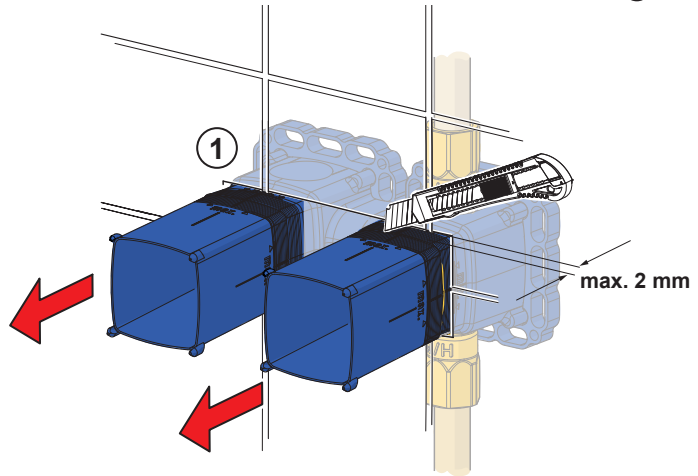


①

②

Ⓑ

Ⓑ



Installation

CZ Montáž
DE Montage
ES Montaje

FR Installation
GR Συναρμολόγηση
HU Szerelés

IT Montaggio
NL Installatie
PT Instruções

RO Instalare
SK Inštalácia

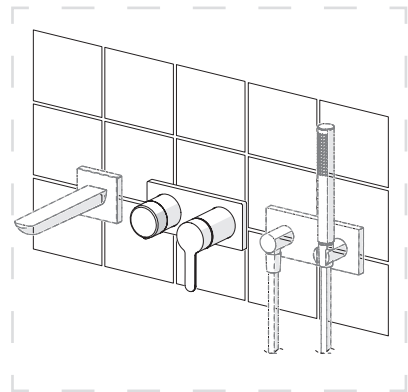
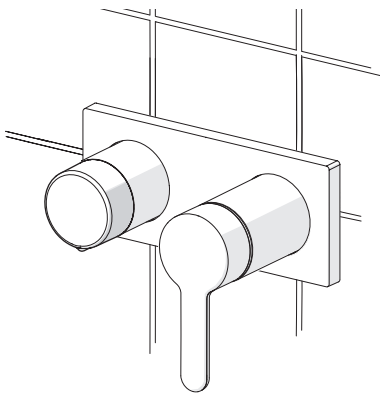
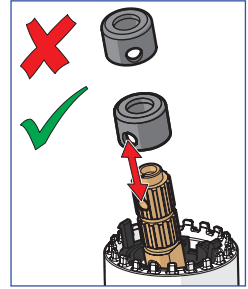
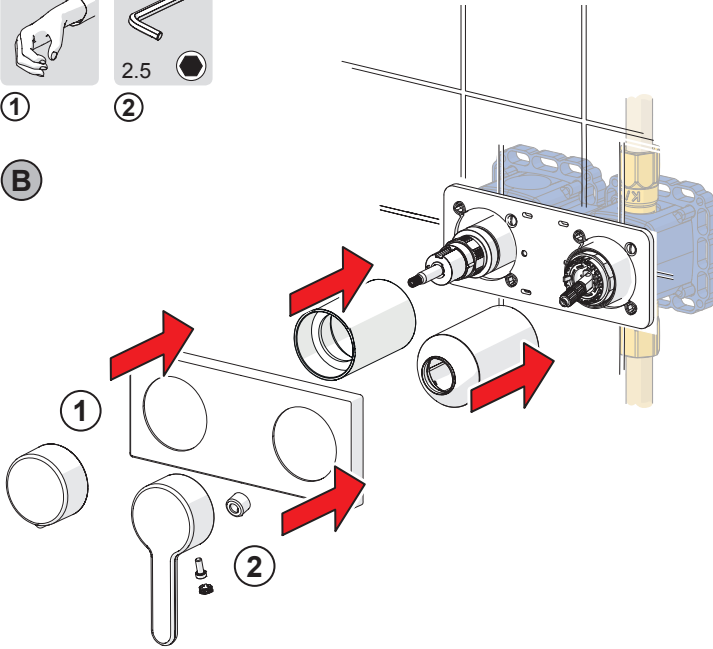


①



②

B



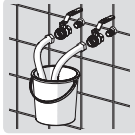
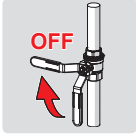
Installation

CZ Montáž
DE Montage
ES Montaje

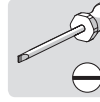
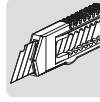
FR Installation
GR Συναρμολόγηση
HU Szerelés

IT Montaggio
NL Installatie
PT Instruções

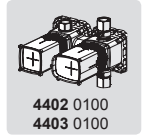
RO Instalare
SK Inštalácia



①

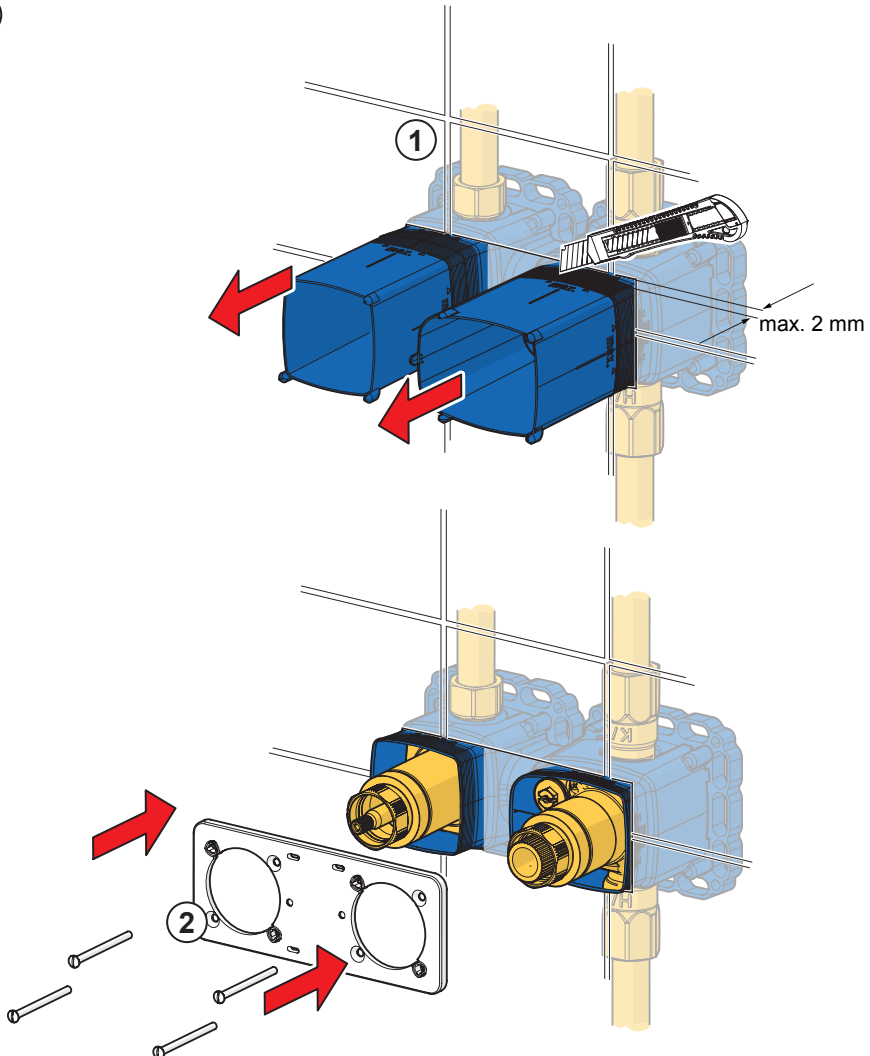


②



Ⓒ

Ⓒ



Installation

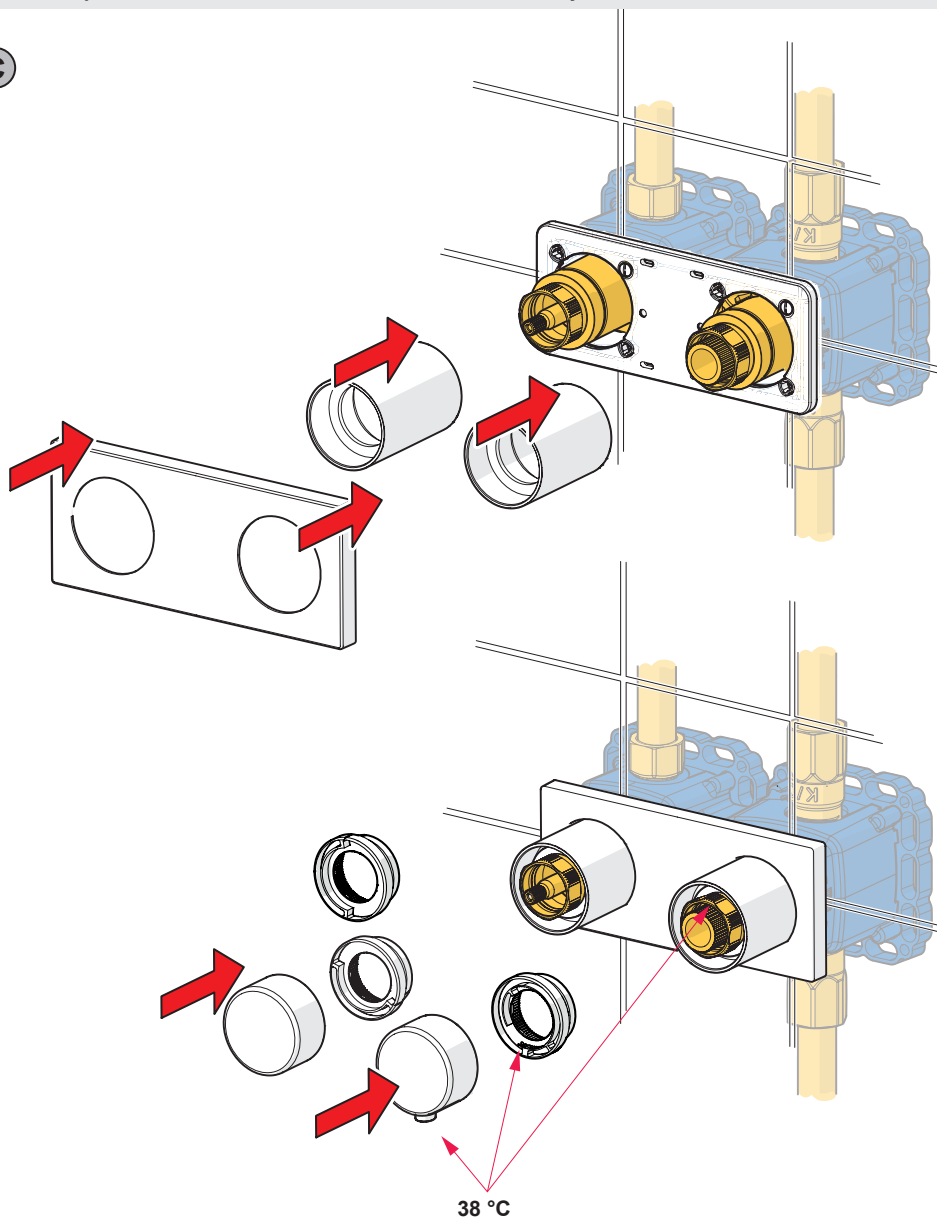
CZ Montáž
DE Montage
ES Montaje

FR Installation
GR Συναρμολόγηση
HU Szerelés

IT Montaggio
NL Installatie
PT Instruções

RO Instalare
SK Inštalácia

C



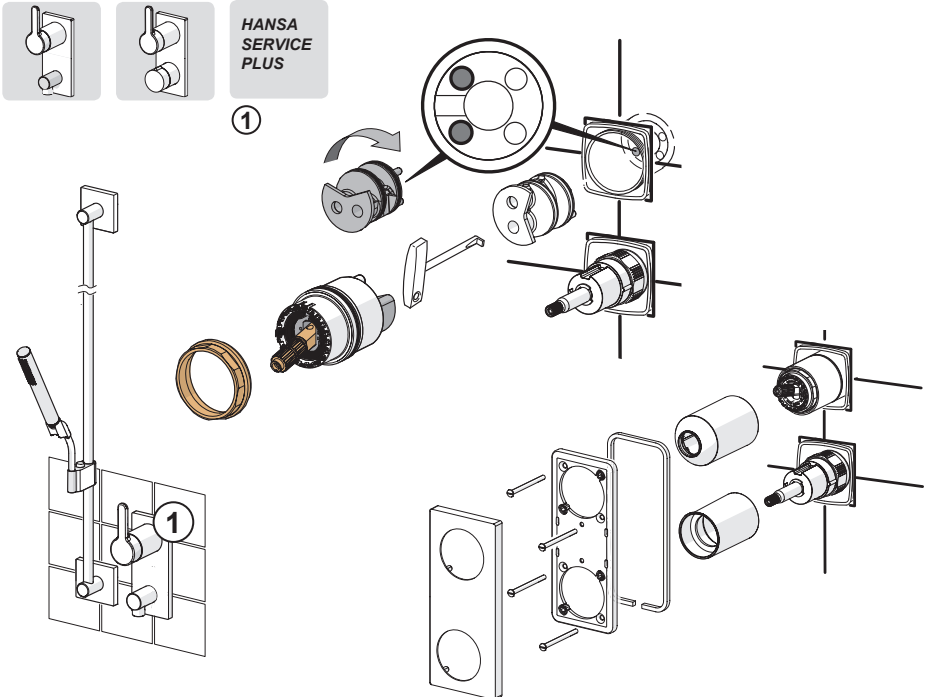
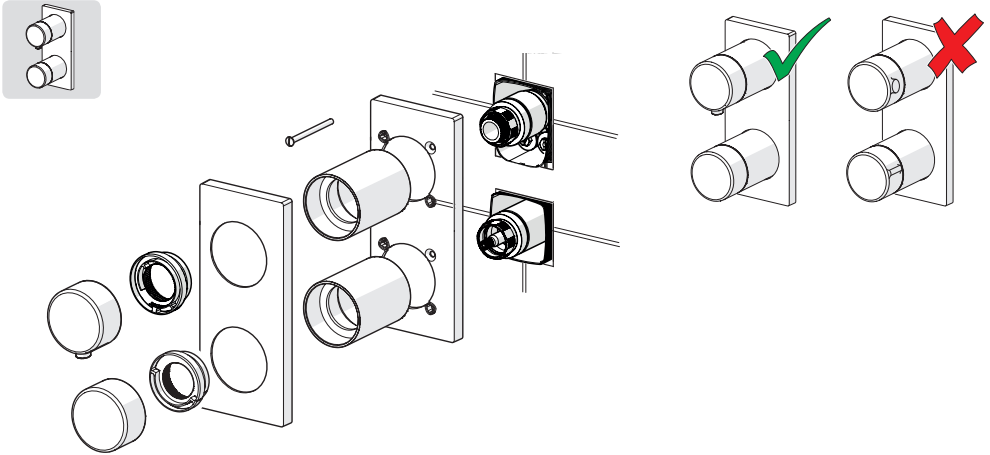
Installation

CZ Montáž
DE Montage
ES Montaje

FR Installation
GR Συναρμολόγηση
HU Szerelés

IT Montaggio
NL Installatie
PT Instruções

RO Instalare
SK Inštalácia



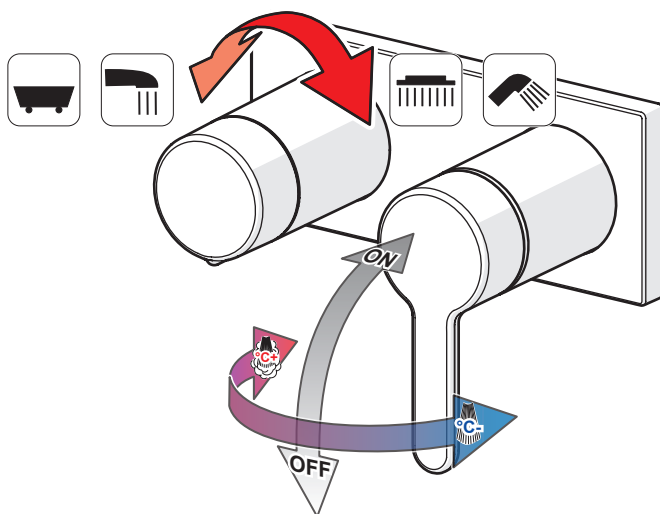
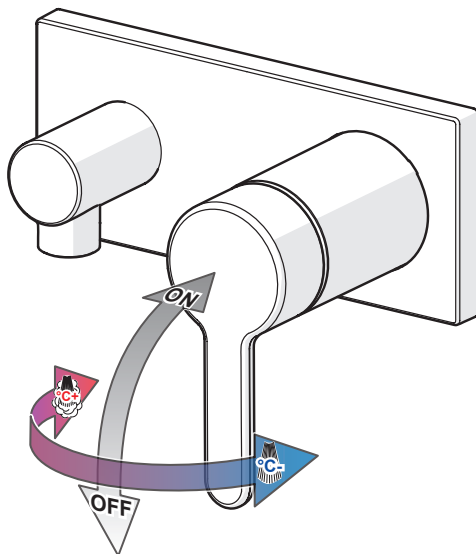
Operation

CZ Funkce
DE Funktion
ES Servicio

FR Utilisation
GR Λειτουργία
HU Üzemeltetés

IT Funzionamento
NL Bediening
PT Funcionamento

RO Funcționare
SK Prevádzka



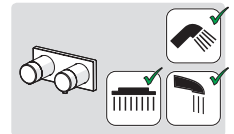
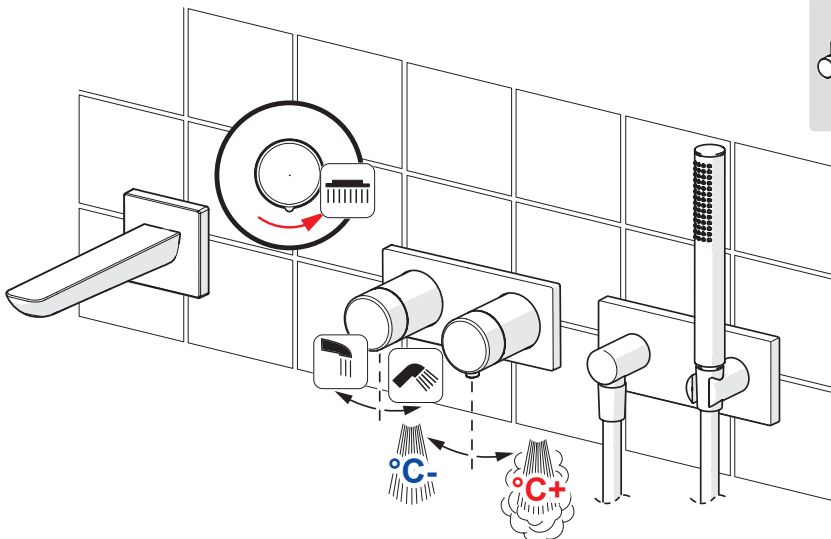
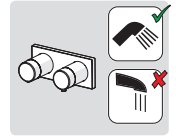
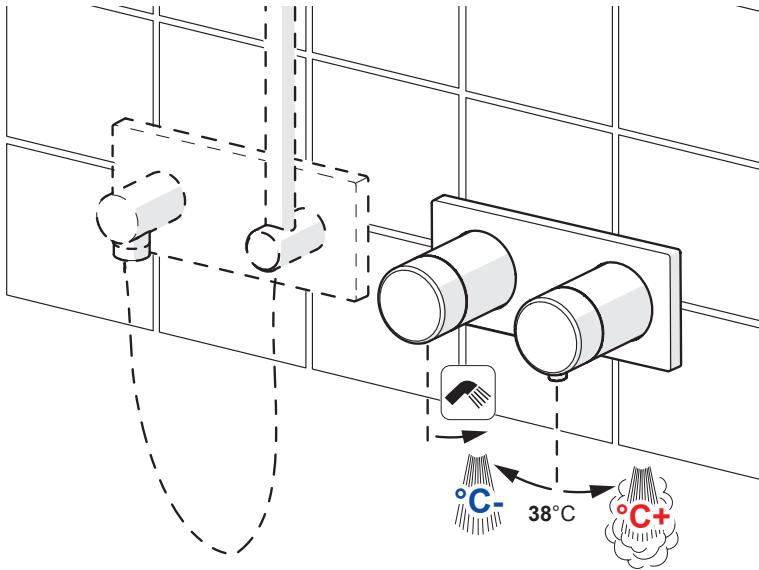
Operation

CZ Funkce
DE Funktion
ES Servicio

FR Utilisation
GR Λειτουργία
HU Üzemeltetés

IT Funzionamento
NL Bediening
PT Funcionamento

RO Funcționare
SK Prevádzka



Limiting temperature

CZ Omezení teploty vody

DE Temperaturbegrenzung

ES Limitación de la temperatura

FR Limitation de la température

GR Περιορισμός θερμοκρασίας

HU A hőmérséklet határolása

IT Limitazione della temperatura

NL Perlator vervangent

PT Limitar a temperatura

RO Limitarea temperaturii

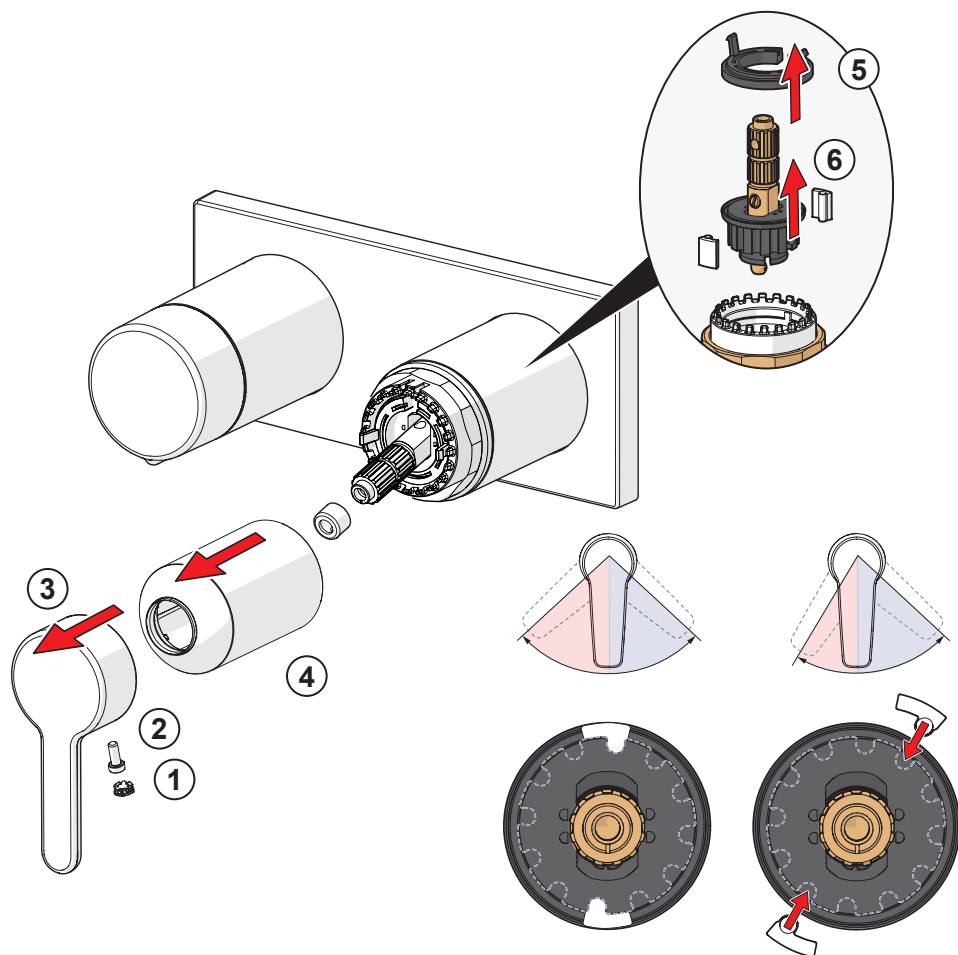
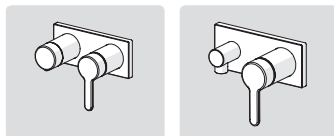
SK Obmedzenie teploty



2.5

②

⑤⑥



Changing the cartridge

CZ Výměna kartuše

DE Wechsel der Patrone

ES Montaje del cartucho

FR Montage et démontage de la cartouche

GR Αντικατάσταση του στοιχείου

HU A patron cseréje

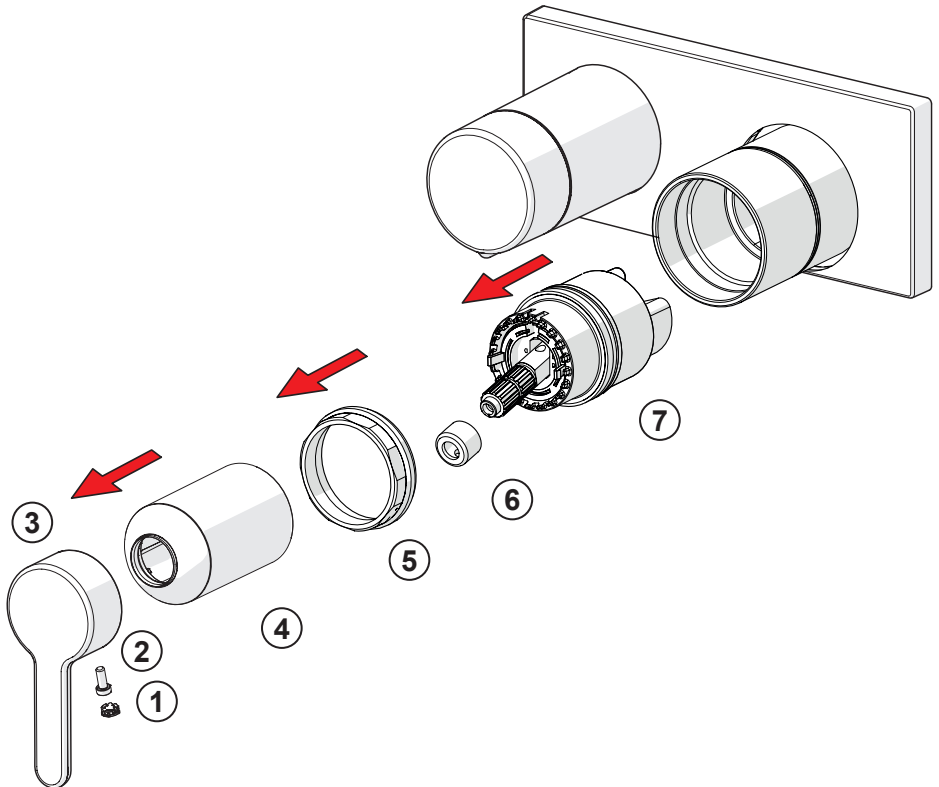
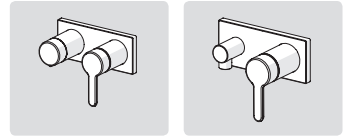
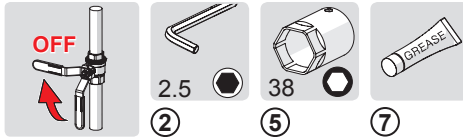
IT Montaggio della cartuccia

NL Vervangen van het keramische binnenwerk

PT Substituição do cartucho

RO Înlocuirea cartuşului

SK Výměna kartuše



Cleaning the faucet

CZ Čištění baterie

DE Reinigung der Armatur

ES Limpieza de la grifería

FR Nettoyage du robinet

GR Καθαρισμός του βρύση

HU Takarítás a csapot

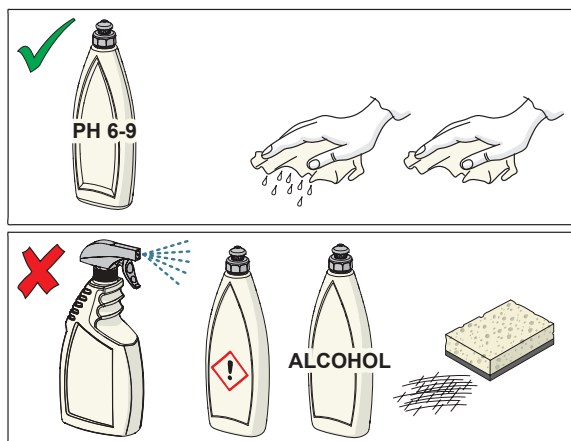
IT Pulizia della rubinetteria

NL Reinigen van de kraan

PT Limpeza da torneira

RO Curățire

SK Čistenie vodovodnej batérie

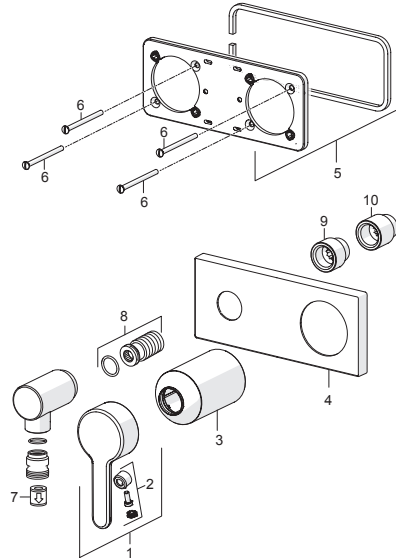


Spare parts

CZ Náhradní díly	FR Pièces détachées	IT Pezzi di ricambio	RO Piese de schimb
DE Ersatzteile	GR Ανταλλακτικά	NL Reserve-onderdelen	SK Náhradné diely
ES Piezas de recambio	HU Alkatrészek	PT Peças de reposição	

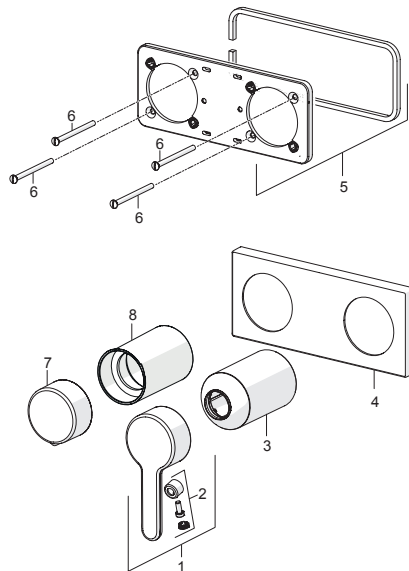
4450 9583

1	59 914 574
2	59 914 573
3	59 914 572
4	59 913 866
5	59 913 697
6	59 913 698
7	59 905 714
8	59 913 865
9	59 913 863
10	59 913 864



4451 9583

1	59 914 574
2	59 914 573
3	59 914 572
4	59 914 702
5	59 913 697
6	59 913 698
7	59 914 703
8	59 914 671

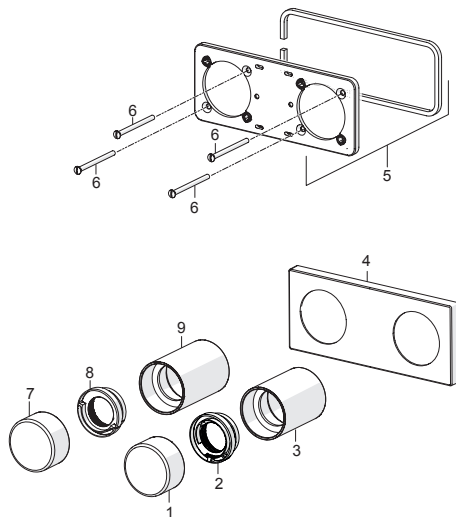


Spare parts

CZ Náhradní díly	FR Pièces détachées	IT Pezzi di ricambio	RO Piese de schimb
DE Ersatzteile	GR Ανταλλακτικά	NL Reserve-onderdelen	SK Náhradné diely
ES Piezas de recambio	HU Alkatrészek	PT Peças de reposição	

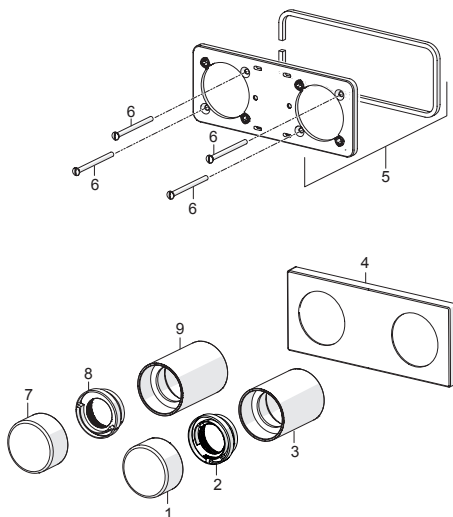
4452 9583

1	59 914 704
2	59 914 705
3	59 914 710
4	59 914 702
5	59 913 697
6	59 913 698
7	59 914 706
8	59 914 708
9	59 914 671



4453 9583

1	59 914 704
2	59 914 705
3	59 914 710
4	59 914 702
5	59 913 697
6	59 913 698
7	59 914 707
8	59 914 708
9	59 914 671



Oras Group is a powerful European provider of sanitary fittings: the market leader in the Nordics and a leading company in Continental Europe. The company's mission is to make the use of water easy and sustainable and its vision is to become the European leader of advanced sanitary fittings. Oras Group has two strong brands, Oras and Hansa.

The head office of the Group is located in Rauma, Finland, and the Group has four manufacturing sites: Burglengenfeld (Germany), Kralovice (Czech Republic), Olesno (Poland) and Rauma (Finland). Oras Group employs approximately 1400 people in twenty countries. Oras Group is owned by Oras Invest, a family company and an industrial owner.

HANSA Armaturen GmbH
P. O. BOX 81 02 40
D-70519 Stuttgart

Sigmaringer Strasse 107
D-70567 Stuttgart
Tel.: +49 711 16 14 0
Fax: +49 711 16 14 368
info@hansa.de

www.hansa.com



a member of  orasgroup